

5

4

3

2

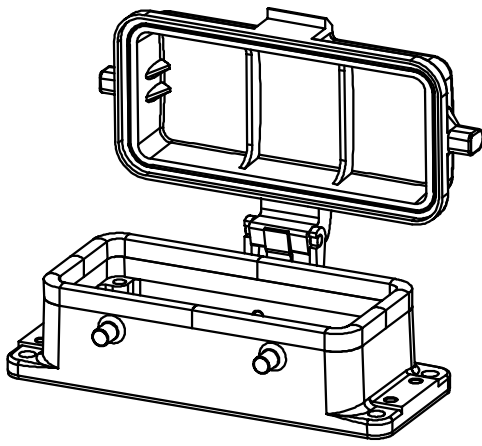
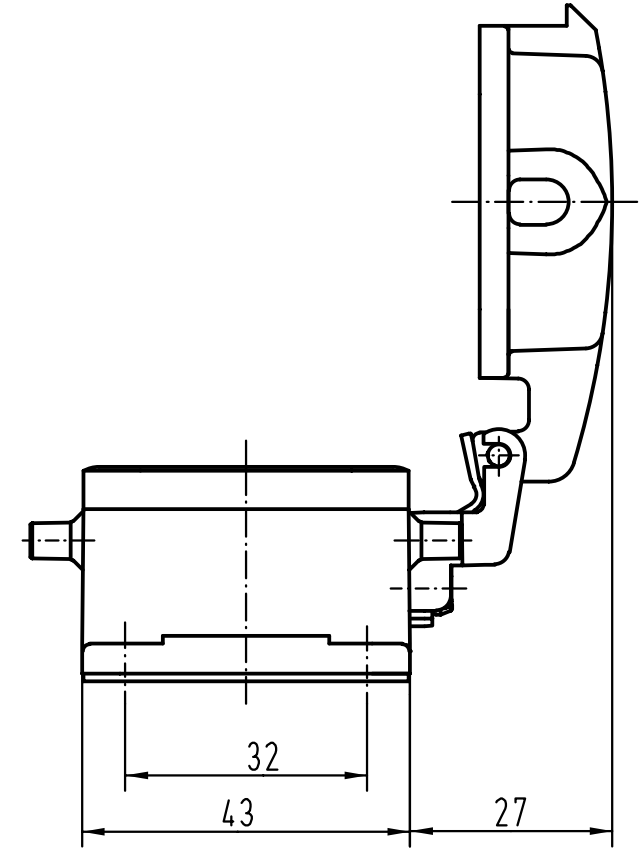
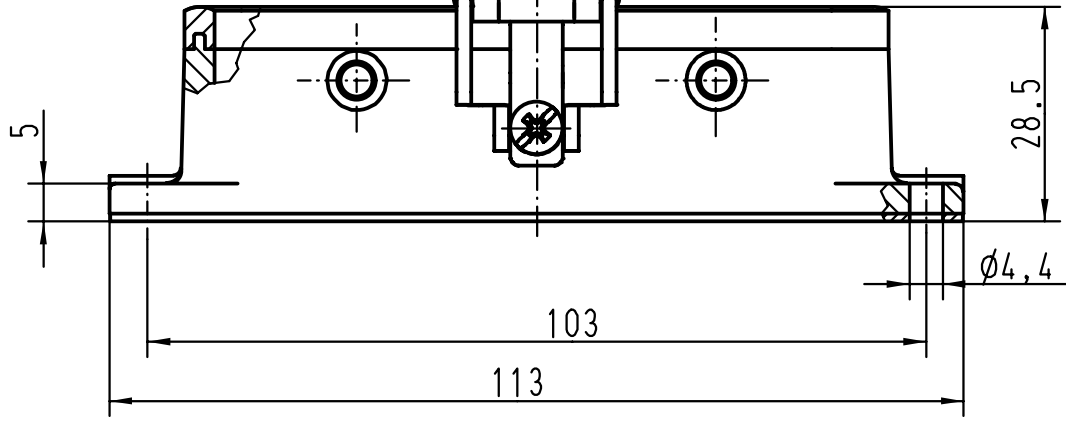
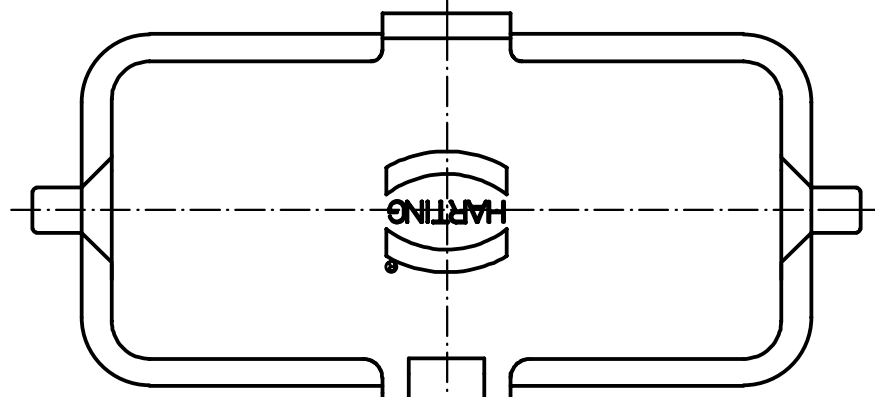
1

D

C

B

A



All Dimensions in mm Original Size DIN A 4		Techn. Character.			Nicht tolerierte Masse/ Free size tolerances	
			Dat.	Name	Massstab/Scale  <b>1:1</b>	<b>Han 16B-agg-K</b> Anbaugehäuse/ <i> housings bulkhead mounting</i>
			Detail.	05.05.99 Gü		
			Insp.	Sdt		
			Stand.			
25890			HARTING KGaA			<b>TB 09 30 016 0302</b>
Mod.	Dat.	Name	D-32339 ESPELKAMP			
						Sub. TB 09 30 0.. 0302 v. 28.01.93

Blatt/ page