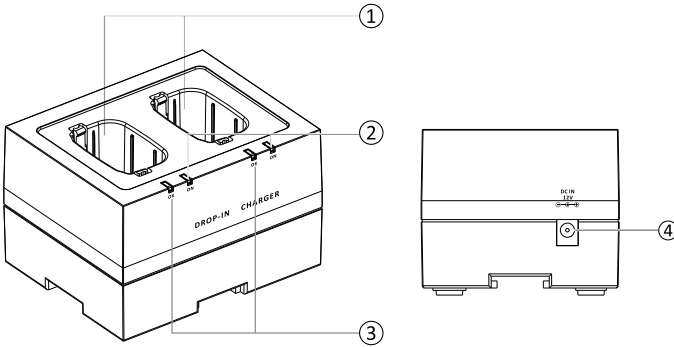


Drop-in Charger

Illustration



- ① Fool-proof charging slot
- ② Charging LED (ON)
 - Solid RED: Charging
 - Flash RED: Charging failure
- ③ Charging LED (OK)
 - Solid GREEN: Fully charged
- ④ Power input jack

Operation

- Connect supplied power adapter with power input jack (④).
- When powering on, the charger will do self-test which can be recognized by its LED behavior.
 - + GREEN (③) → RED (②) → RED (②) → RED (②) (if units are in the slots)
 - OFF (if no units are in the slots)
- Put units into charging slots (①).
- Check LED behavior for charging status.

Troubleshooting

◆ RED LEDs are flashing

- Make sure inserted batteries are rechargeable.
- Make sure inserted rechargeable batteries function well.
- Make sure rechargeable batteries are correctly inserted in all units.

◆ No charging LED lights up

- Make sure all units are correctly inserted in the charging slots of the charger.
- Make sure charging contacts on both units and the charger are clean without corrosion.

Caution



- ◆ Keep the charger away from any heat source and in a location with good ventilation. Do not leave it under sunlight or close to heater.
- ◆ Clean charging contacts regularly with a dry cloth to prevent contact failure caused by dust or corrosion.
- ◆ Non-rechargeable batteries are not allowed to use.
- ◆ Use the power adapter supplied with original package only.
- ◆ Do not move or squeeze the charger improperly.

This device complies with part 15 of the FCC Rules.

Operation is subject to the following two conditions: (1) This device may not cause harmful interference, and (2) this device must accept any interference received, including interference that may cause undesired operation.

Notice: The changes or modifications not expressly approved by the party responsible for compliance could void the user's authority to operate the equipment.

FCC INFORMATION

The Federal Communication Commission Radio Frequency Interference Statement includes the following paragraph:
The equipment has been tested and found to comply with the limits for a Class B Digital Device, pursuant to part 15 of the FCC Rules.

These limits are designed to provide reasonable protection against harmful interference in a residential installation.

This equipment generates, uses and can radiate radio frequency energy and, if not installed and used in accordance with the instruction, may cause harmful interference to radio communication.

However, there is no guarantee that interference will not occur in a particular installation. If this equipment does cause harmful interference to radio or television reception, which can be determined by turning the equipment off and on, the user is encouraged to try to correct the interference by one or more of the following measures:

- Reorient or relocate the receiving antenna.
- Increase the separation between the equipment and receiver.
- Connect the equipment into an outlet on a circuit different from that to which the receiver is connected.
- Consult the dealer or an experienced radio/TV technician for help.