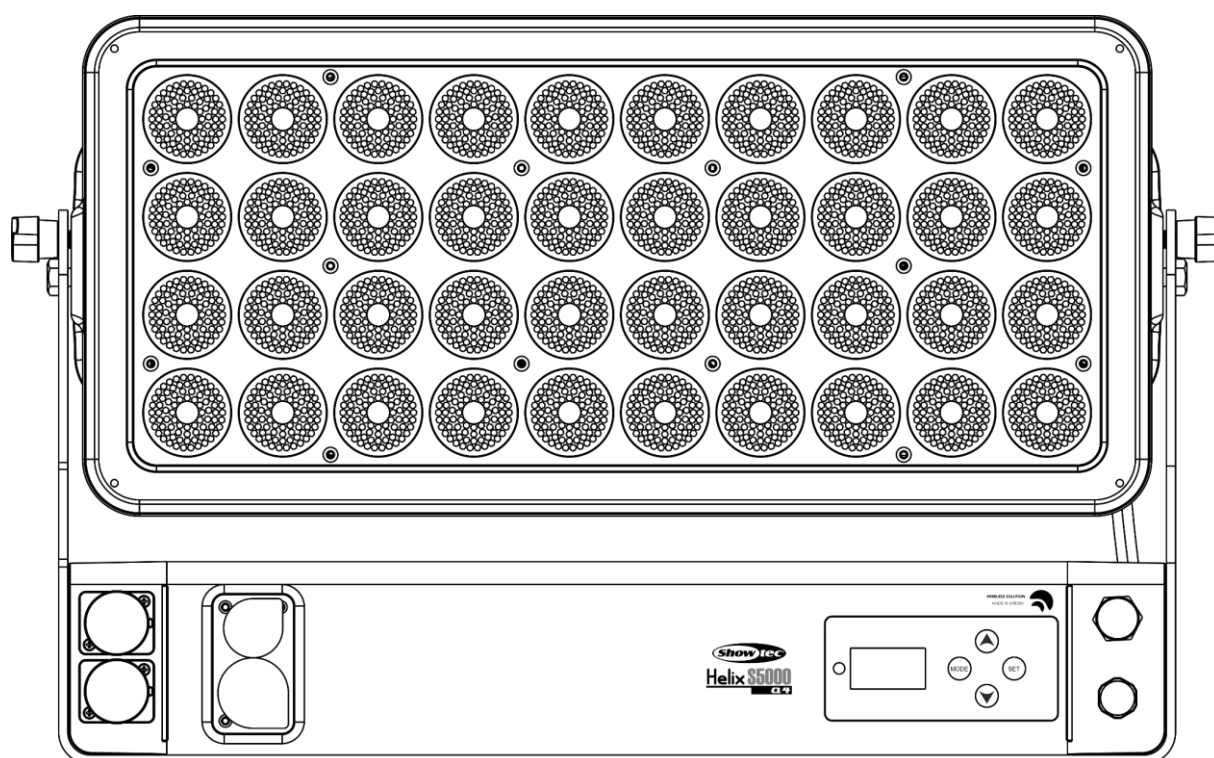




MANUAL



ENGLISH

Helix S5000 Q4

V1

Ordercode: 43725

Table of contents

Warning 4

 Safety Instructions 4

 Operating Determinations 6

 Rigging 6

 Connection with the mains 8

 Return Procedure 8

 Claims 8

Description of the device 9

 Features 9

 Overview 10

Installation 11

 Installing the Barndoor (43726) 11

 Installing the Beamshapers (43727/43728/43729) 12

 Installing the Tophat (43730) 13

Set Up and Operation 14

 Control Modes 14

 One Helix (Auto, Built-in Programs) 14

 One Helix (Manual Mode) 14

 Multiple Helixes (Master / Slave Control) 14

 Multiple Helixes (DMX Control) 15

 Multiple Helixes (Wireless DMX Control) 16

 Wireless DMX Connection 16

 Wireless DMX Problems 16

 Example 1 17

 Example 2 18

 Fixture Linking 19

 Data Cabling 19

 Control Panel 20

 DMX Control Mode 20

 DMX Addressing 20

 Menu Overview 21

 Main Menu Options 23

 1. DMX Settings 23

 1.1. Address 24

 1.2. Channels 24

 1.3. Signal 24

 1.4. W-DMX Unlock 25

 2. Manual Mode 25

 3. Auto Mode 25

 4. Built-in Programs 26

 4.1. Program 01 26

 4.2. Programs 02-26 27

 5. Master/Slave Mode 27

 6. Settings 28

 6.1. Curves Select 28

 6.2. Dimmer Speed 29

 6.3. Fan Speed 29

 6.4. Pixel Dir 30

 6.5. PWM Frequency 30

 6.6. Backlight Time 30

 6.7. DMX Fail 31

 6.8. DMX Sync 31

 6.9. Lock 31

 6.10. Key Backlight 32

6.11. Factory.....32
7. Information.....32
DMX Channels.....33
4 Channels33
6 Channels33
8 Channels34
20 Channels36
24 Channels37
Maintenance39
Troubleshooting40
 No Light40
 No Response to DMX.....40
Product Specifications41
Dimensions.....42

Warning



**For your own safety, please read this user manual carefully
before your initial start-up!**

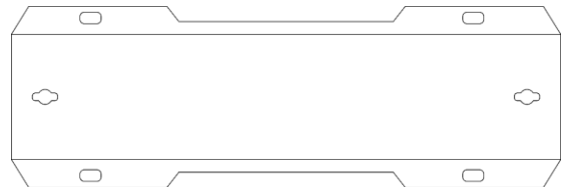
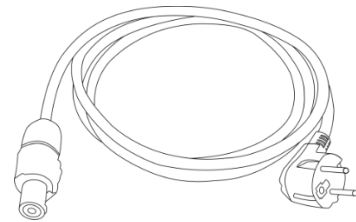
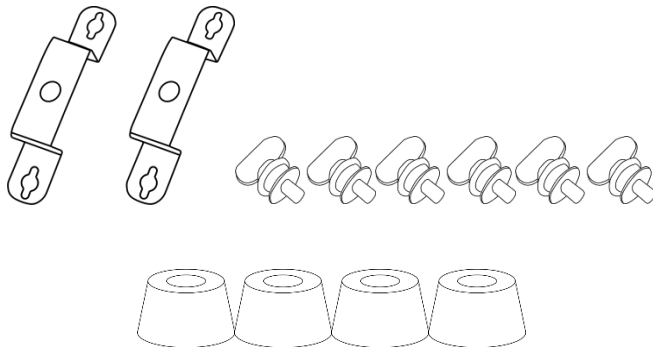
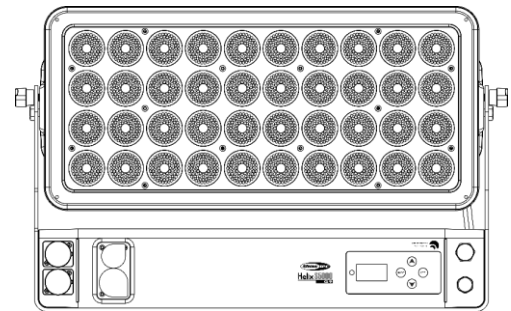


Unpacking Instructions

Immediately upon receiving this product, carefully unpack the carton and check the contents to ensure that all parts are present, and have been received in good condition. Notify the dealer immediately and retain packing material for inspection if any parts appear damaged from shipping or the carton itself shows signs of mishandling. Save the carton and all packing materials. In the event that a fixture must be returned to the factory, it is important that the fixture be returned in the original factory box and packing.

Your shipment includes:

- Showtec Helix S5000 Q4
- Schuko to Neutrik PowerCON True1 power cable (1,5 m)
- 6 x quick-locks
- 2 x quick-lock brackets
- 4 x rubber feet
- 1 x mounting bracket
- User manual



LED Expected Lifespan

LEDs gradually decline in brightness over time. HEAT is the dominant factor that leads to the acceleration of this decline. Packaged in clusters, LEDs exhibit higher operating temperatures than in ideal or singular optimum conditions. For this reason when all color LEDs are used at their fullest intensity, life of the LEDs is significantly reduced. If improving your lifespan expectancy is of a higher priority, place care in providing for lower operational temperatures. This may include climatic-environmental and the reduction of overall projection intensity.



CAUTION!
Keep this device away from rain and moisture!
Unplug mains lead before opening the housing!



Safety Instructions

Every person involved with the installation, operation and maintenance of this device has to:

- be qualified
- follow the instructions of this manual



**CAUTION! Be careful with your operations.
With a dangerous voltage you can suffer
a dangerous electric shock when touching the wires!**



Before your initial start-up, please make sure that there is no damage caused by transportation. Should there be any, consult your dealer and do not use the device.

To maintain perfect condition and to ensure a safe operation, it is absolutely necessary for the user to follow the safety instructions and warning notes written in this manual.

Please consider that damages caused by manual modifications to the device are not subject to warranty.

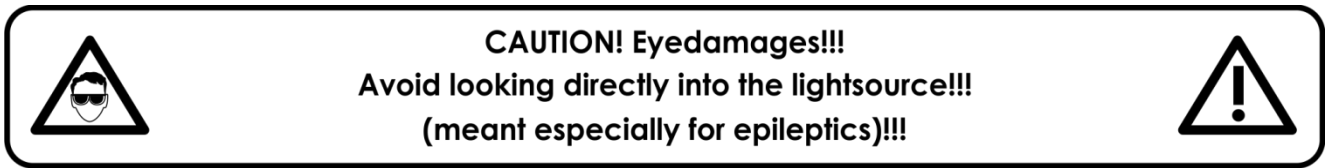
This device contains no user-serviceable parts. Refer servicing to qualified technicians only.

IMPORTANT:

The manufacturer will not accept liability for any resulting damages caused by the non-observance of this manual or any unauthorized modification to the device.

- Never let the power cord come into contact with other cables! Handle the power cord and all connections with the mains with particular caution!
- Never remove warning or informative labels from the unit.
- Never use anything to cover the ground contact.
- Never place any material over the lens.
- Never look directly into the light source.
- Never leave any cables lying around.
- Do not insert objects into air vents.
- Do not connect this device to a dimmer pack.
- Do not switch the device on and off in short intervals, as this would reduce the device's life.
- Do not touch the device's housing bare-handed during its operation. Allow the fixture to cool for at least 5 minutes before handling.
- Do not shake the device. Avoid brute force when installing or operating the device.
- Only use device indoors, avoid contact with water or other liquids.
- Only operate the fixture after having checked if the housing is firmly closed and all screws are tightly fastened.
- Only operate the device after having familiarized with its functions.
- Avoid flames and do not put close to flammable liquids or gases.
- Always keep case closed while operating.
- Always allow free air space of at least 50 cm around the unit for ventilation.
- Always disconnect power from the mains, when device is not used or before cleaning! Only handle the power cord by the plug. Never pull out the plug by tugging the power cord.
- Make sure that the device is not exposed to extreme heat, moisture or dust.
- Make sure that the available voltage is not higher than stated on the rear panel.
- Make sure that the power cord is never crimped or damaged. Check the device and the power cord from time to time.
- If the lens is obviously damaged, it has to be replaced, so that its functions are not impaired due to cracks or deep scratches.
- If device is dropped or struck, disconnect mains power supply immediately. Have a qualified engineer inspect for safety before operating.
- If the device has been exposed to drastic temperature fluctuation (e.g. after transportation), do not switch it on immediately. The arising condensation water might damage your device. Leave the device switched off until it has reached room temperature.
- If your Showtec device fails to work properly, discontinue use immediately. Pack the unit securely (preferably in the original packing material), and return it to your Showtec dealer for service.
- For adult use only. Device must be installed out of the reach of children. Never leave the unit running unattended.
- Never attempt to bypass the thermostatic switch or fuses.
- The user is responsible for correct positioning and operating of the Helix. The manufacturer will not accept liability for damages caused by the misuse or incorrect installation of this device.

- This device falls under protection class I. Therefore it is essential to connect the yellow/green conductor to earth.
- Repairs, servicing and electric connection must be carried out by a qualified technician.
- WARRANTY: Till one year after date of purchase.



Operating Determinations

- This device is not designed for permanent operation. Consistent operation breaks will ensure that the device will serve you for a long time without defects.
- The minimum distance between light output and the illuminated surface must be bigger than 0,5 meter.
- The maximum ambient temperature $t_a = 40^{\circ}\text{C}$ must never be exceeded.
- In order to eliminate wear and improve the device's lifespan, during periods of non-use, completely disconnect from power source via breaker or by unplugging.
- The relative humidity must not exceed 50 % with an ambient temperature of 40°C .
- If this device is operated in any other way, than the one described in this manual, the product may suffer damages and the warranty becomes void.
- Any other operation may lead to dangers like short-circuit, burns, electric shock, crash etc.

You endanger your own safety and the safety of others!

Rigging

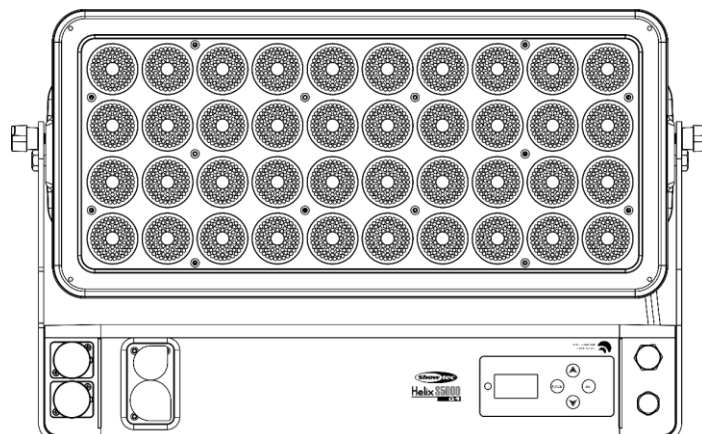
Please follow the European and national guidelines concerning rigging, trussing and all other safety issues.

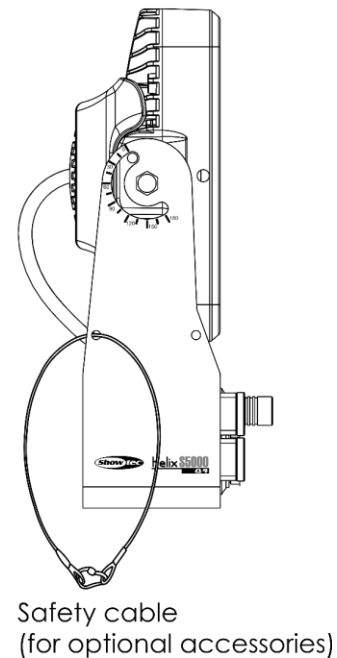
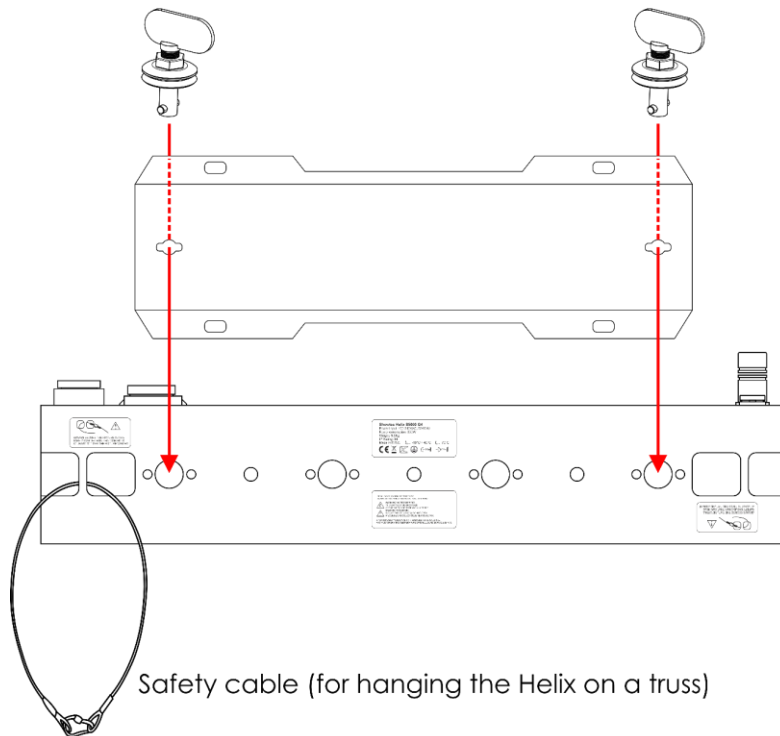
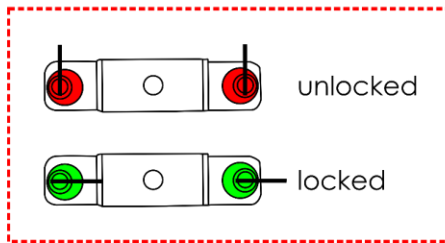
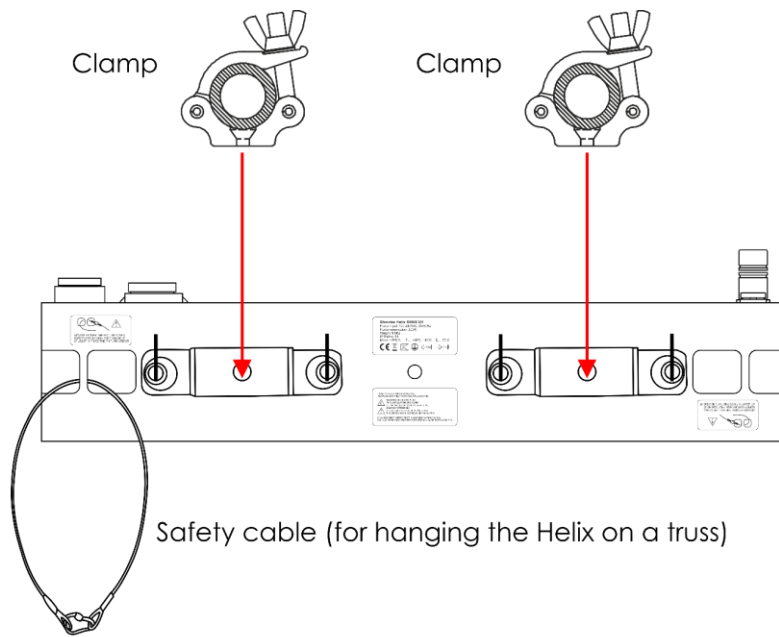
Do not attempt the installation yourself!

Always let the installation be carried out by an authorized dealer!

Procedure:

- If the Helix is lowered from the ceiling or high joists, professional trussing systems have to be used.
- Use a clamp to mount the Helix, with the mounting bracket, to the trussing system.
- The Helix must never be fixed swinging freely in the room.
- The installation must always be secured with a safety attachment, e.g. an appropriate safety net or safety cable.
- When rigging, derigging or servicing the Helix, always make sure, that the area below the installation place is blocked and staying in the area is forbidden.






The Helix S5000 Q4 can be placed on a flat stage floor, by means of the included mounting bracket, or be mounted to any kind of truss with clamps and quick-locks.

Improper installation can cause serious damage to people and property!

Connection with the mains

Connect the device to the mains with the power-plug.

Always pay attention, that the right color cable is connected to the right place.

International	EU Cable	UK Cable	US Cable	Pin
L	BROWN	RED	YELLOW/COPPER	PHASE
N	BLUE	BLACK	SILVER	NEUTRAL
	YELLOW/GREEN	GREEN	GREEN	PROTECTIVE GROUND

Make sure that the device is always connected properly to the earth!

Improper installation can cause serious damage to people and property!



Return Procedure

Returned merchandise must be sent prepaid and in the original packing, call tags will not be issued. Package must be clearly labeled with a Return Authorization Number (RMA number). Products returned without an RMA number will be refused. Highlite will not accept the returned goods or any responsibility. Call Highlite 0031-455667723 or mail aftersales@highlite.nl and request an RMA prior to shipping the fixture. Be prepared to provide the model number, serial number and a brief description of the cause for the return. Be sure to properly pack fixture, any shipping damage resulting from inadequate packaging is the customer's responsibility. Highlite reserves the right to use its own discretion to repair or replace product(s). As a suggestion, proper UPS packing or double-boxing is always a safe method to use.

Note: If you are given an RMA number, please include the following information on a piece of paper inside the box:

- 01) Your name.
- 02) Your address.
- 03) Your phone number.
- 04) A brief description of the symptoms.

Claims

The client has the obligation to check the delivered goods immediately upon delivery for any shortcomings and/or visible defects, or perform this check after our announcement that the goods are at their disposal. Damage incurred in shipping is the responsibility of the shipper; therefore the damage must be reported to the carrier upon receipt of merchandise.

It is the customer's responsibility to notify and submit claims with the shipper in the event that a fixture is damaged due to shipping. Transportation damage has to be reported to us within one day after receipt of the delivery.

Any return shipment has to be made post-paid at all times. Return shipments must be accompanied with a letter defining the reason for return shipment. Non-prepaid return shipments will be refused, unless otherwise agreed in writing.

Complaints against us must be made known in writing or by fax within 10 working days after receipt of the invoice. After this period complaints will not be handled anymore.

Complaints will only then be considered if the client has so far complied with all parts of the agreement, regardless of the agreement of which the obligation is resulting.

Description of the device

Features

The Showtec Helix S5000 Q4 is a high-power panel light with IP65 protection grade. It has an extremely high light output and is very suitable for illumination of larger indoor and (temporarily) outdoor areas.

- Wireless DMX (Wireless Solutions)
- Quick-locks for fast rigging and mounting
- DMX control via standard DMX controller
- Onboard: OLED display for easy setup
- Input voltage: 100-240V AC, 50/60Hz
- Power consumption: 415W
- Peak power: 810W
- Light source: 40 x Prolight Opto RGBW 4-in-1 10W LEDs
- Light output @ 2m: 54000 lux
- Refresh rate: 3.0 kHz
- DMX modes: 4, 6, 8, 20, 24 channels
- Dimmer: 0-100%
- Strobe: 0-20Hz
- Beam angle: 10°
- Control mode: Auto, Built-in programs, Manual, Master/Slave, DMX512, W-DMX
- Housing: Die-cast aluminum
- Power connectors: Neutrik PowerCON True1 IN/OUT
- Data connectors: 5-pin XLR-HD DMX IN/OUT
- Cooling: Cooling fans
- IP rating: IP65
- Working temperature: -10°C ~40°C
- Dimensions: 530 x 125 x 318 mm (LxWxH)
- Weight: 11,5 kg

Note: Knowledge of DMX is required to fully utilize this unit.

Optional accessories

- [43726](#) – Barndoor for Helix S5000 Q4
- [43727](#) – Beamshaper for Helix S5000 Q4 (20°)
- [43728](#) – Beamshaper for Helix S5000 Q4 (45°)
- [43729](#) – Beamshaper for Helix S5000 Q4 (15°x60°)
- [43730](#) – Tophat for Helix S5000 Q4
- [50177](#) – W-DMX™ BlackBox F-1 G5 Transceiver
- [50178](#) – W-DMX™ BlackBox F-2 G5 Transceiver
- [D7249](#) – Case for 4 x Helix 4000

Overview

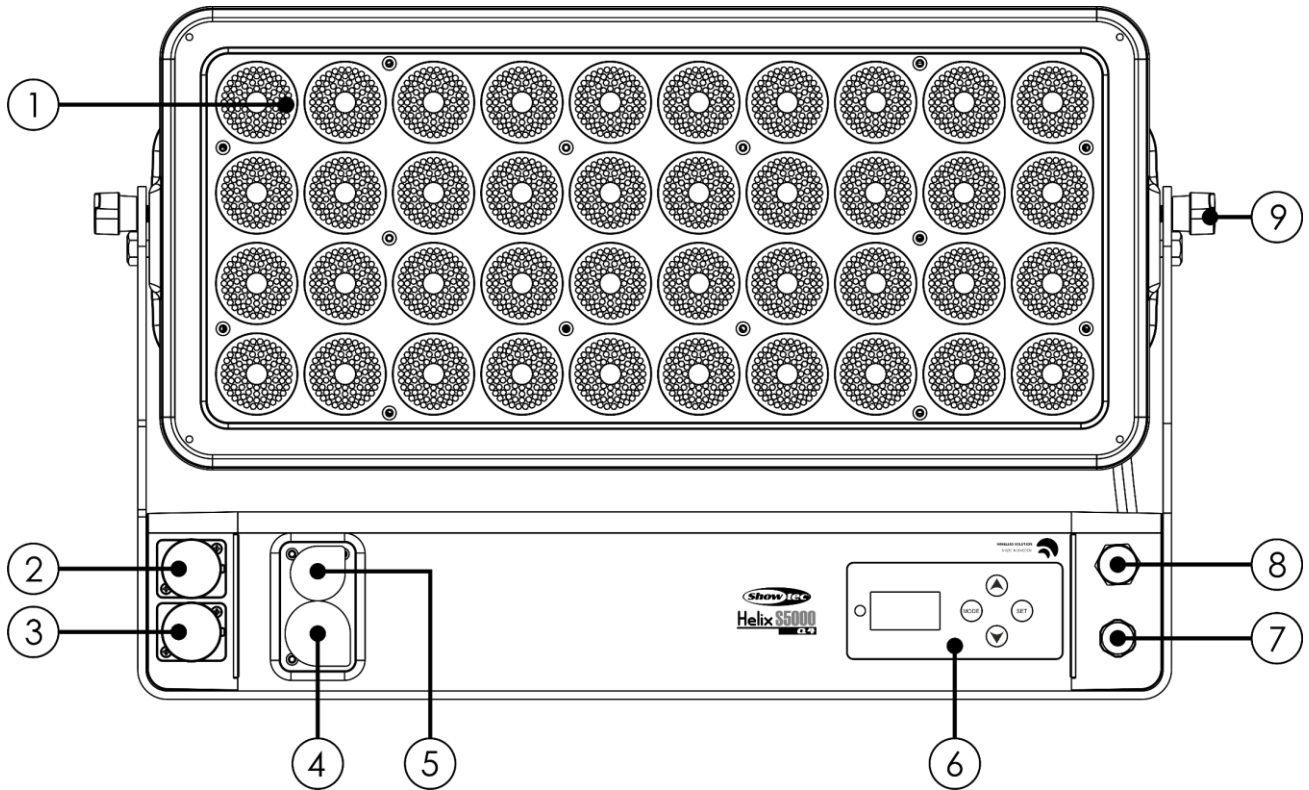


Fig. 01

- 01) 40 x Prolight Opto RGBW 4-in-1 10W LEDs
- 02) 5-pin DMX connector IN
- 03) 5-pin DMX connector OUT
- 04) 100-240V Neutrik PowerCON True1 power connector OUT
- 05) 100-240V Neutrik PowerCON True1 power connector IN
- 06) OLED display + control buttons
- 07) Pressure valve
This valve manages the air pressure within the Helix's enclosure. It allows the enclosure to breathe, equalizes pressure and reduces condensation while filtering out liquids and other contaminants. By doing so, it increases the Helix's performance and durability.
- 08) Antenna for wireless DMX
- 09) Adjustment screw

Installation

Remove all packing materials from the Helix S5000 Q4. Check that all foam and plastic padding is removed. Connect all cables.

Do not supply power before the whole system is set up and connected properly.

Always disconnect from electric mains power supply before cleaning or servicing.

Damages caused by non-observance are not subject to warranty.

Installing the Barndoor (43726)

01) Pull on the spring-loaded locking screws, on both sides of the barndoor, to unlock the mechanism.

43726 - Barndoor for Helix S5000 Q4

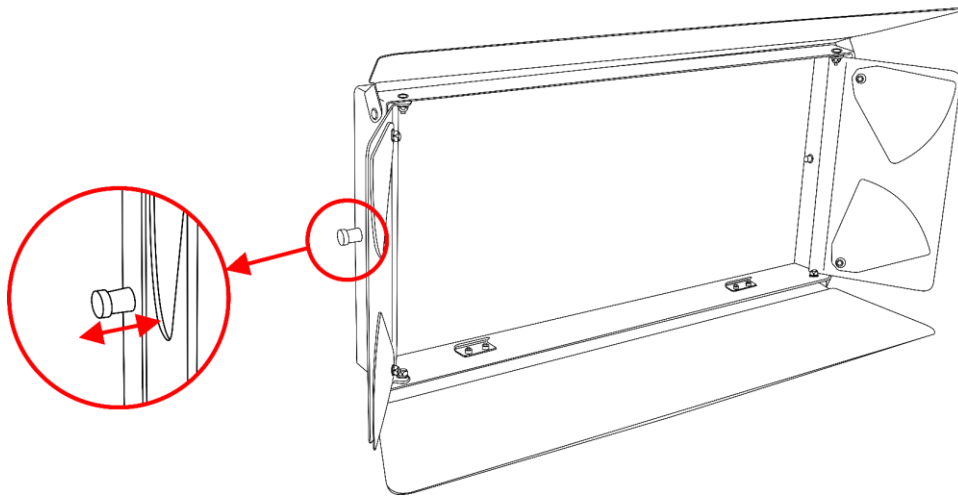


Fig. 02

02) Place the barndoor on the Helix, to secure the barndoor's screws in the Helix's mounting holes.

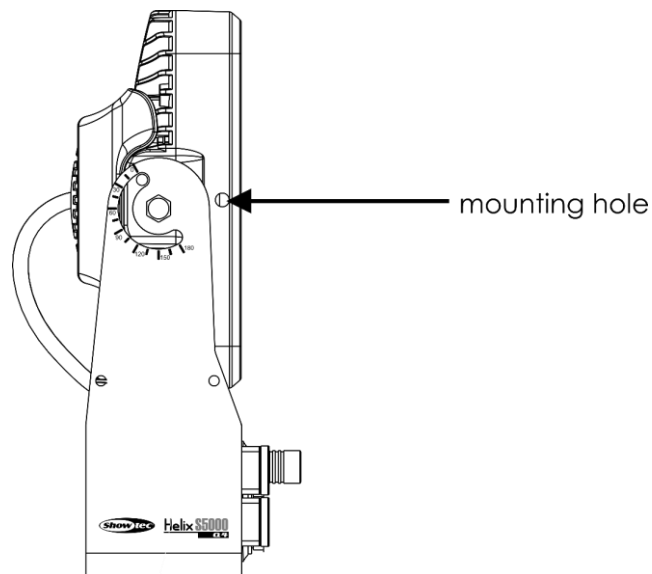


Fig. 03

03) Release both locking screws to lock the barndoor in position.

Installing the Beamshapers (43727/43728/43729)

- 01) In order to install the beamshaper, place it on the lens of the Helix. The beamshaper is equipped with multiple magnets which keep it firmly in position.
- 02) In order to remove the beamshaper, pull it by the handles located on its sides.

- 43727** - Beamshaper for Helix S5000 Q4 (20°)
- 43728** - Beamshaper for Helix S5000 Q4 (45°)
- 43729** - Beamshaper for Helix S5000 Q4 (15°x60°)

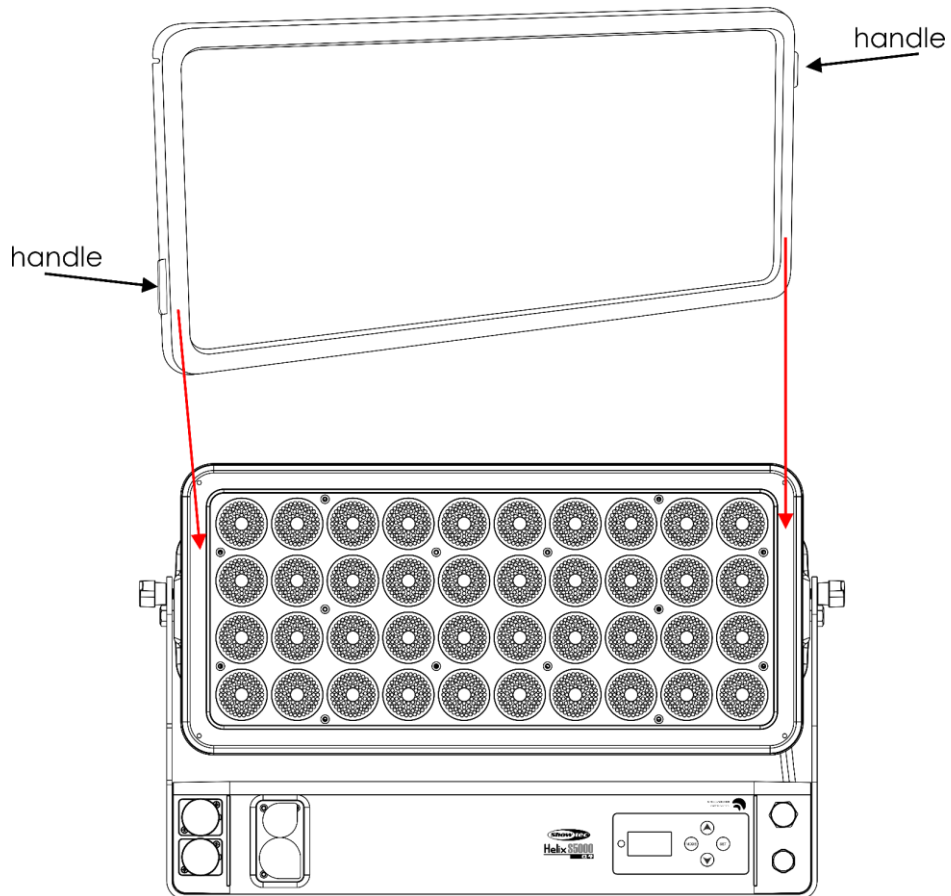


Fig. 04

Installing the Tophat (43730)

01) Pull on the spring-loaded locking screws, on both sides of the tophat, to unlock the mechanism.

43730 - Tophat for Helix S5000 Q4

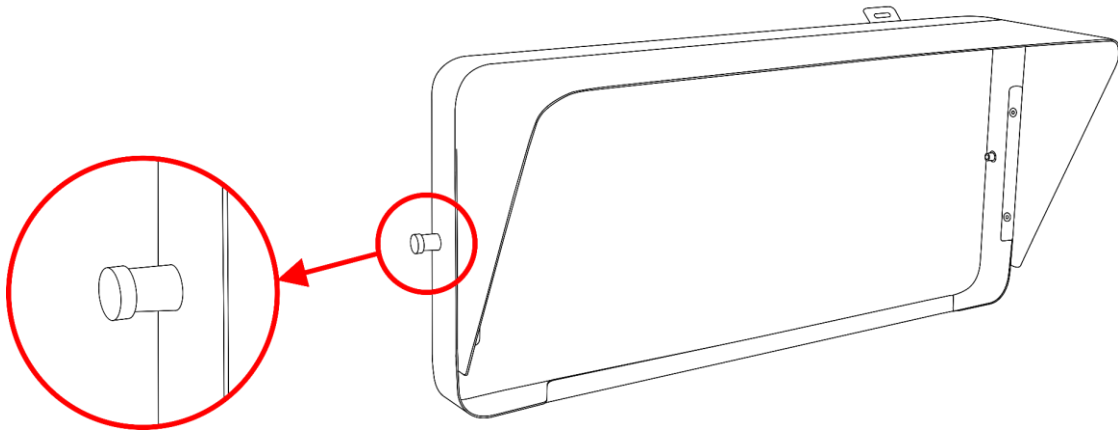


Fig. 05

02) Place the tophat on the Helix, to secure the tophat's screws in the Helix's mounting holes.

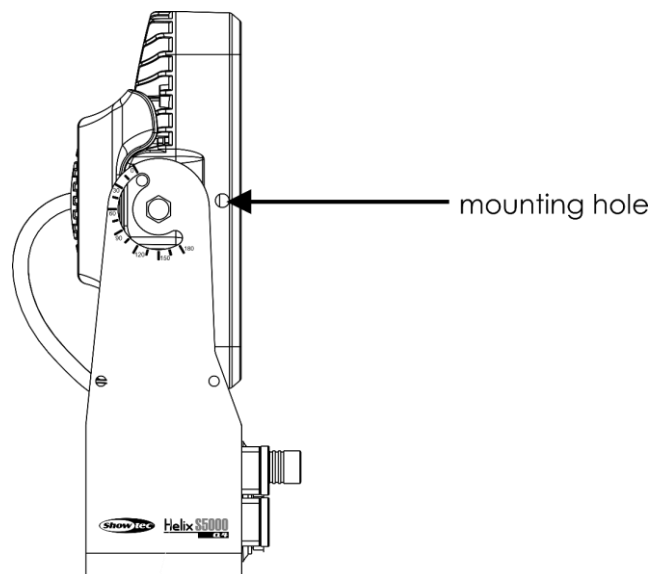


Fig. 06

03) Release both locking screws to lock the tophat in position.

Set Up and Operation

Follow the directions below, as they pertain to your preferred operation mode.

Before plugging the unit in, always make sure that the power supply matches the product specification voltage. Do not attempt to operate a 120V specification product on 230V power, or vice versa.

Control Modes

There are 6 modes:

- Auto
- Built-in Programs
- Manual
- Master/Slave
- DMX512 (4CH, 6CH, 8CH, 20CH, 24CH)
- Wireless DMX control

One Helix (Auto, Built-in Programs)

- 01) Fasten the effect light onto firm trussing. Leave at least 0,5 meter on all sides for air circulation.
- 02) Always use a safety cable (ordercode 70140 / 70141).
- 03) Plug the end of the electric mains power cord into a proper electric power supply socket.
- 04) When the Helix is not connected with a DMX cable, it functions as a stand-alone device.
- 05) Please see pages 25-27 for more information about Auto and Built-in programs.

One Helix (Manual Mode)

- 01) Fasten the effect light onto firm trussing. Leave at least 0,5 meter on all sides for air circulation.
- 02) Always use a safety cable (ordercode 70140 / 70141).
- 03) Plug the end of the electric mains power cord into a proper electric power supply socket.
- 04) When the Helix is not connected with a DMX cable, it functions as a stand-alone device.
- 05) Please see page 25 for more information about Manual mode.

Multiple Helixes (Master / Slave Control)

- 01) Fasten the effect light onto firm trussing. Leave at least 0,5 meter on all sides for air circulation.
- 02) Always use a safety cable (ordercode 70140 / 70141).
- 03) Plug the end of the electric mains power cord into a proper electric power supply socket.
- 04) Use a 5-pin XLR cable to connect the Helix.

The pins:



- 01) Earth
- 02) Signal (-)
- 03) Signal (+)
- 04) N/C
- 05) N/C

- 05) Link the units as shown in fig. 07. Connect a DMX signal cable from the first unit's DMX "out" socket to the second unit's "in" socket. Repeat this process to link the second and third units. You can use the same functions on the master device as described on pages 23-27. This means that you can set your desired operation mode on the master device and all slave devices will react the same as the master device.

Multiple Helixes (Master/Slave Set Up)

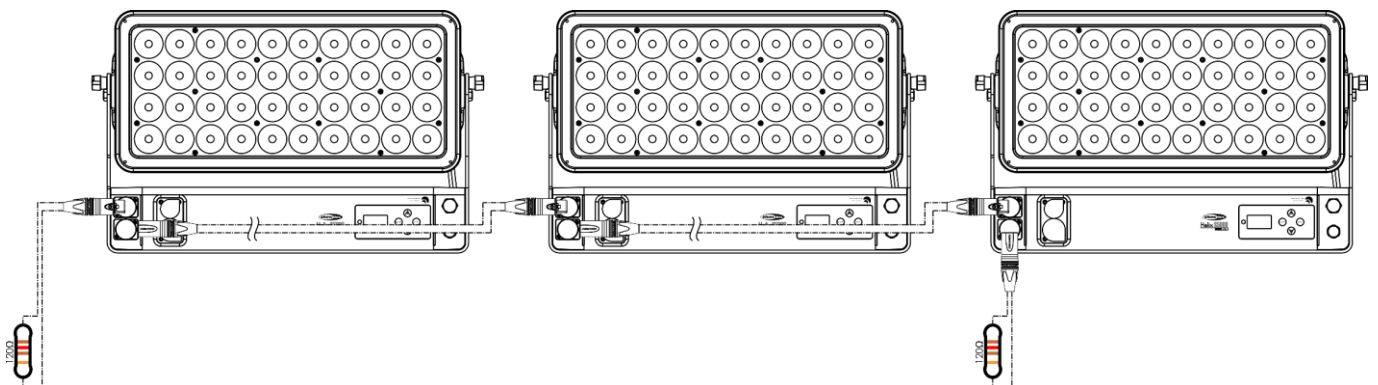
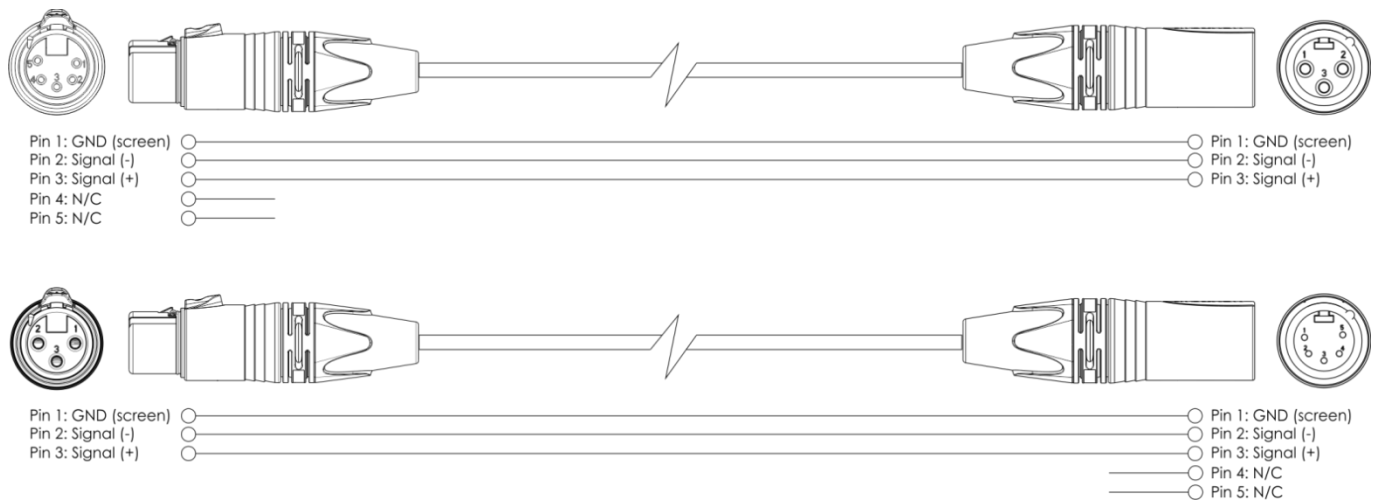


Fig. 07

Multiple Helixes (DMX Control)

- 01) Fasten the effect light onto firm trussing. Leave at least 0,5 meter on all sides for air circulation.
- 02) Always use a safety cable (ordercode 70140 / 70141).
- 03) Plug the end of the electric mains power cord into a proper electric power supply socket.
- 04) Use a 5-pin XLR cable to connect the Helix and other devices.



- 05) Link the units as shown in fig. 08. Connect a DMX signal cable from the first unit's DMX "out" socket to the second unit's "in" socket. Repeat this process to link the second and third units.
- 06) Supply electric power: Plug electric mains power cords into each unit's PowerCON True1 socket, then plug the other end of the mains power cord into proper electric power supply sockets, starting with the first unit. Do not supply power before the whole system is set up and connected properly.

Multiple Helixes (DMX Set Up)

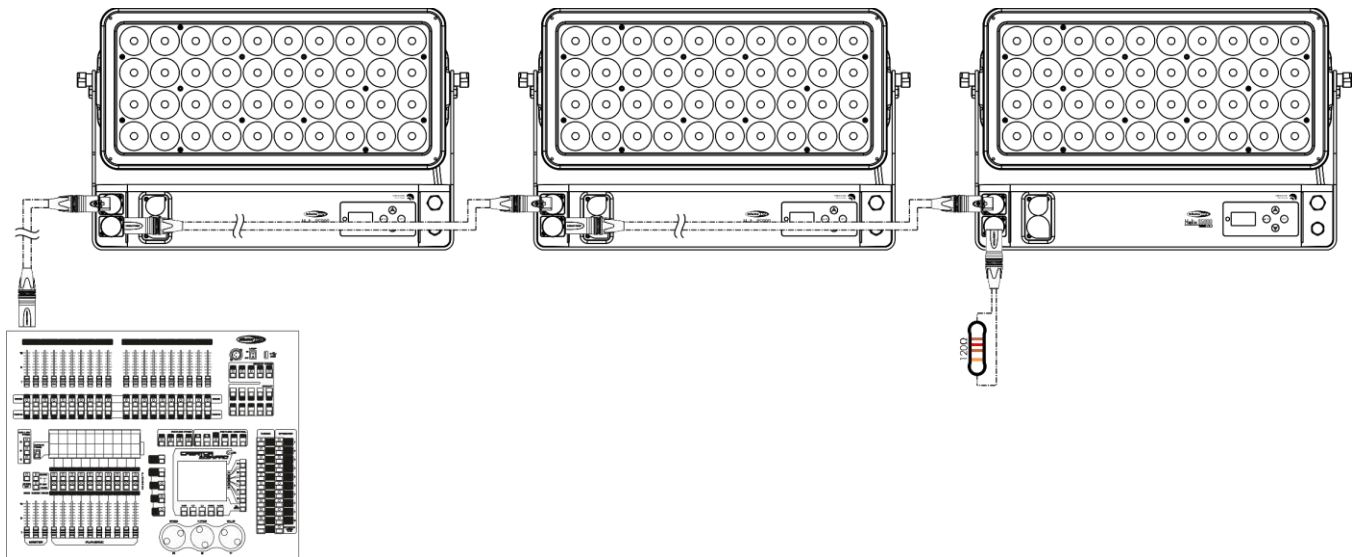


Fig. 08

Note: Link all cables before connecting electric power!

Multiple Helixes (Wireless DMX Control)

You can use the Helix in a wireless DMX setup. Make sure the device is operating in wireless DMX mode, which can be set in the main menu (see pages 24-25 for more information).

Sweden 2.4GHz Wireless Communication Module

Communication distance:	depending on the transmitting power or transmitter module
Test conditions:	W-DMX TRx Transmitter module, 2dBi Antenna, transmitting power 20dBm (100mW)
Range indoor:	60 m (approx. through three concrete walls)
Range outdoor:	250 m

Wireless DMX Connection

The wireless receiving module "Nano G5 Receiver, 2.4GHz", provided by Swedish WIRELESS SOLUTION, only has a 2.4 GHz wireless signal receiving function. In order to establish a wireless connection, please use the Wireless DMX BlackBox F-1 G5 Transceiver (50177) or the Wireless DMX BlackBox F-2 G5 Transceiver (50178). To control the status of the wireless communication, please look at the green LED indicator light on the left side of the display.

Note: When the Helix receives a wireless DMX signal, then this signal will also be present at its 5-pin DMX output (03). However, **the Helix has not been designed to send wireless signals**. Therefore, always connect the Helix devices to each other using a DMX cable.

Wireless DMX Problems

- 01) No signal from the W-DMX transmitter.
The LED indicator will blink quickly.
- 02) Proper connection with the W-DMX transmitter, but no DMX signal is present.
The LED indicator will blink slowly.

When the wireless DMX communication is unhindered and a DMX signal is present, the LED indicator will always be on.



The Helix S5000 Q4 cannot receive a Wireless DMX signal and a DMX cable signal at the same time



When the device is in Auto mode or Built-in Programs mode, please ensure that the paired 2.4GHz wireless signal transmitter is OFF.



The Helix S5000 Q4 is only a WDMX receiver and never a WDMX transmitter



Example 1

The Helix cannot send any wireless signals. Therefore, the slave Helix fixtures must always be connected via a DMX signal cable.



The Helix S5000 Q4 is only a WDMX receiver and never a WDMX transmitter



When the Helix operates in DMX or Slave mode, it can receive a wireless DMX signal (CH1-512) and at the same time it can also send a DMX signal, via its DMX output **(03)**, through a DMX cable.

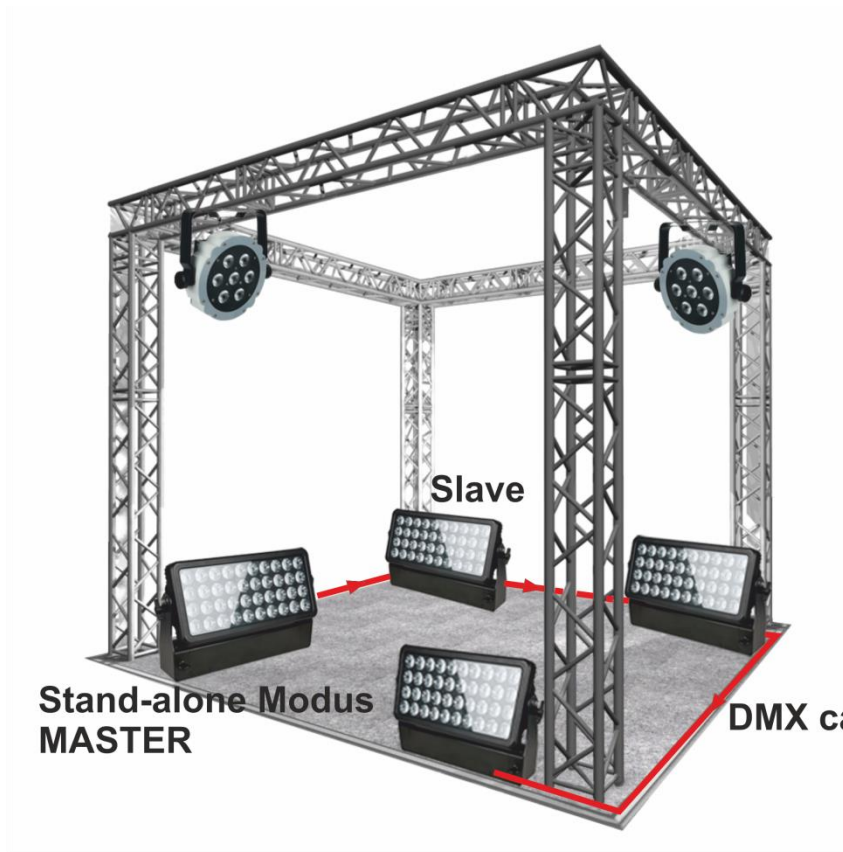


Fig. 09

Example 2

The Showtec Operator Air (50726) sends out a wireless signal with 512 channels and the Helix picks up this signal.

Connect the Helix to the wireless DMX signal transmitter

The Helix S5000 Q4 cannot actively search for wireless signal transmitters.

In order to pair the Helix with the wireless signal transmitter, please check the manual of the wireless signal transmitter you use.

It is recommended to use the Wireless DMX BlackBox F-1 G5 Transceiver (50177) or the Wireless DMX BlackBox F-2 G5 Transceiver (50178).

Disconnect from the Wireless DMX signal transmitter

The Helix can be disconnected from the wireless DMX signal transmitter.

It is possible to deactivate W-DMX in the main menu, see pages 24-25 for more information.




Fig. 10

Fixture Linking

You will need a serial data link to run light shows of one or more fixtures using a DMX-512 controller or to run synchronized shows on two or more fixtures set to a master / slave operating mode. The combined number of channels required by all the fixtures on a serial data link determines the number of fixtures the data link can support.

Important: Fixtures on a serial data link must be daisy chained in one single line. To comply with the EIA-485 standard no more than 30 devices should be connected on one data link. Connecting more than 30 fixtures on one serial data link without the use of a DMX optically isolated splitter may result in deterioration of the digital DMX signal.

 Maximum recommended DMX data link distance: 100 meters
 Maximum recommended number of fixtures on a DMX data link: 30 fixtures
 Maximum recommended number of fixtures on a power link @110V: 3 fixtures
 Maximum recommended number of fixtures on a power link @240V: 7 fixtures

Data Cabling

To link fixtures together you must obtain data cables. You can purchase DAP Audio certified DMX cables directly from a dealer/distributor or construct your own cable. If you choose to create your own cable please use data-grade cables that can carry a high quality signal and are less prone to electromagnetic interference.

DAP Audio DMX Data Cables

- DAP Audio Basic microphone cable for allround use. bal. XLR/M 3-pin > XLR/F 3-pin. **Ordercode** FL01150 (1,5 m), FL013 (3 m), FL016 (6 m), FL0110 (10 m), FL0115 (15 m), FL0120 (20 m).
- DAP Audio X-type data cable XLR/M 3-pin > XLR/F 3-pin. **Ordercode** FLX0175 (0,75 m), FLX01150 (1,5 m), FLX013 (3 m), FLX016 (6 m), FLX0110 (10 m).
- DAP Audio cable for the demanding user with exceptional audio-qualities and connector made by Neutrik®. **Ordercode** FL71150 (1,5 m), FL713 (3 m), FL716 (6 m), FL7110 (10 m).
- DAP Audio cable for the demanding user with exceptional audio-qualities and connector made by Neutrik®. **Ordercode** FL7275 (0,75 m), FL72150 (1,5 m), FL723 (3 m), FL726 (6 m), FL7210 (10 m).
- DAP Audio 110 Ohm cable with digital signal transmission. **Ordercode** FL0975 (0,75 m), FL09150 (1,5 m), FL093 (3 m), FL096 (6 m), FL0910 (10 m), FL0915 (15 m), FL0920 (20 m).
- DAP Audio data cable FL08 DMX/AES-EBU, XLR/M 5-pin > XLR/F 5-pin. **Ordercode** FL08150 (1,5 m), FL083 (3 m), FL086 (6 m), FL0810 (10 m), FL0820 (20 m).
- DAP Audio DMX adapter: 5-pin/3-pin. **Ordercode** FLA29.
- DAP Audio DMX adapter: 3-pin/5-pin. **Ordercode** FLA30.
- DAP Audio DMX Terminator 3-pin. **Ordercode** FLA42.
- DAP Audio DMX Terminator 5-pin. **Ordercode** FLA43.

Note: connect the Helix S5000 Q4 with the dedicated special XLR cables for outdoor use.

[FL83150](#) – Neutrik DMX Cable 5-pin XLR IP65 (1,5 m)

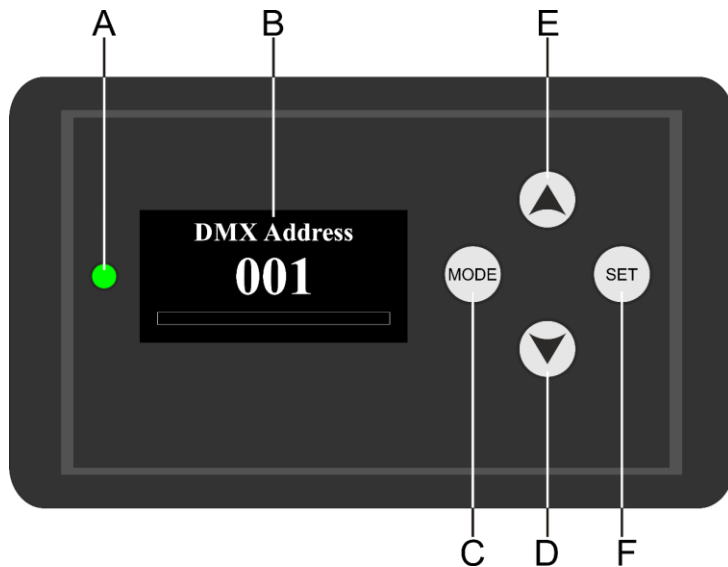
[FL833](#) – Neutrik DMX Cable 5-pin XLR IP65 (3 m)

[FL836](#) – Neutrik DMX Cable 5-pin XLR IP65 (6 m)

[FL8310](#) – Neutrik DMX Cable 5-pin XLR IP65 (10 m)

[FL8320](#) – Neutrik DMX Cable 5-pin XLR IP65 (20 m)

Control Panel



- A) DMX LED indicator
- B) OLED display
- C) MODE button
- D) DOWN button
- E) UP button
- F) SET button

Fig. 11

DMX Control Mode

The fixtures are individually addressed on a data-link and connected to the controller. The fixtures respond to the DMX signal from the controller. (When you select the DMX address and save it, the controller will display the saved DMX address the next time.)

DMX Addressing

The control panel on the back side of the device allows you to assign the DMX fixture address, which is the first channel from which the Helix will respond to the controller.

Please note when you use the controller, the unit has **24** channels.

When using multiple Helixes make sure you set the DMX addresses right.

Therefore, the DMX address of the first Helix should be **1(001)**; the DMX address of the second Helix should be **1+24=25 (025)**; the DMX address of the third Helix should be **25+24=49 (049)**, etc. Please, be sure that you do not have any overlapping channels in order to control each Helix correctly. If two or more Helixes are addressed similarly, they will work similarly.

Controlling:

After having addressed all Helix fixtures, you may now start operating these via your lighting controller.

Note: After switching on, the Helix will automatically detect whether DMX 512 data is received or not. The problem may be:

- The XLR cable from the controller is not connected with the input of the Helix.
- The controller is switched off or defective, the cable or connector is defective, or the signal wires are swapped in the input connector.

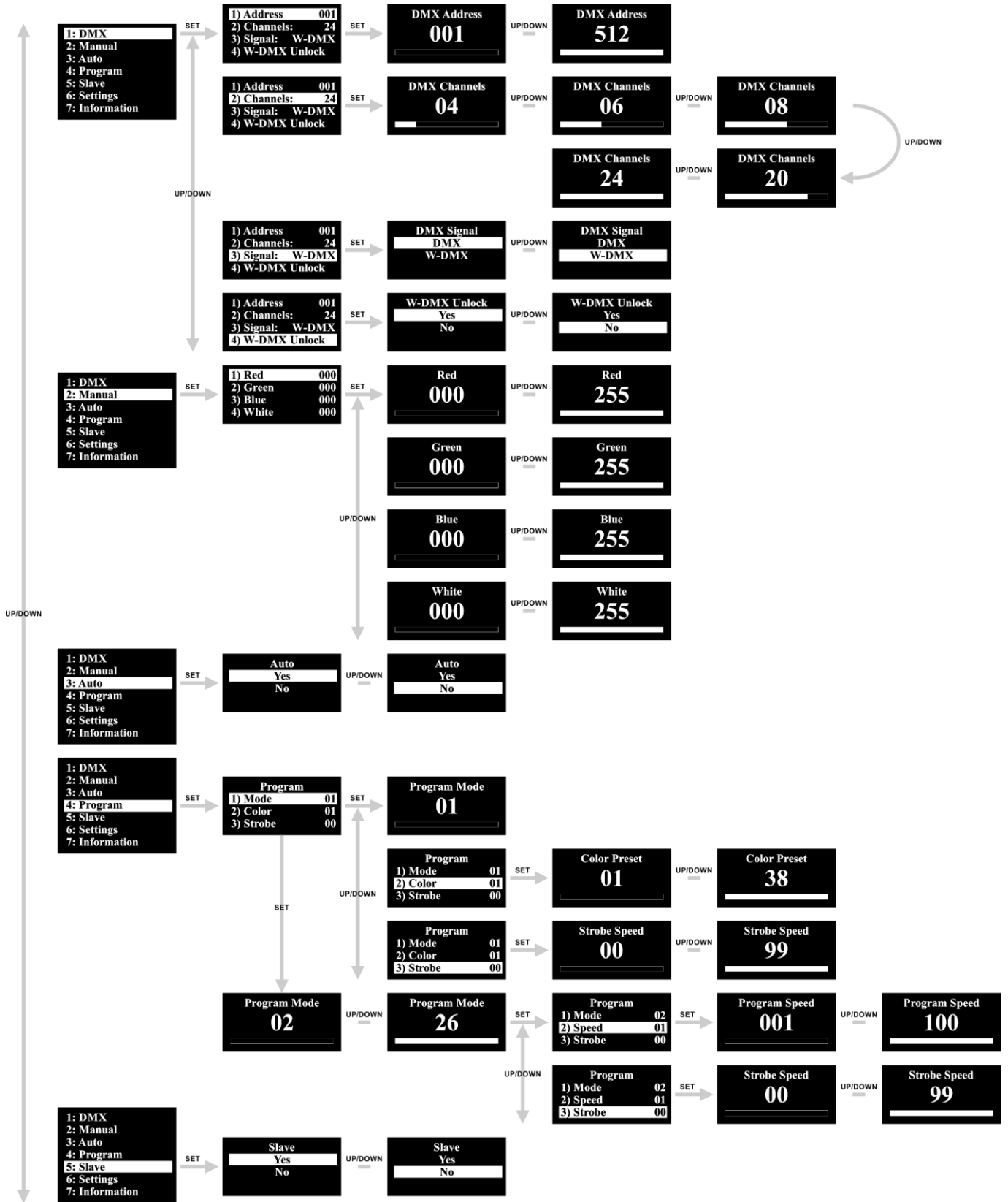
Note: It is necessary to insert a XLR termination plug (with 120 Ohm) in the last fixture in order to ensure proper transmission on the DMX data link.

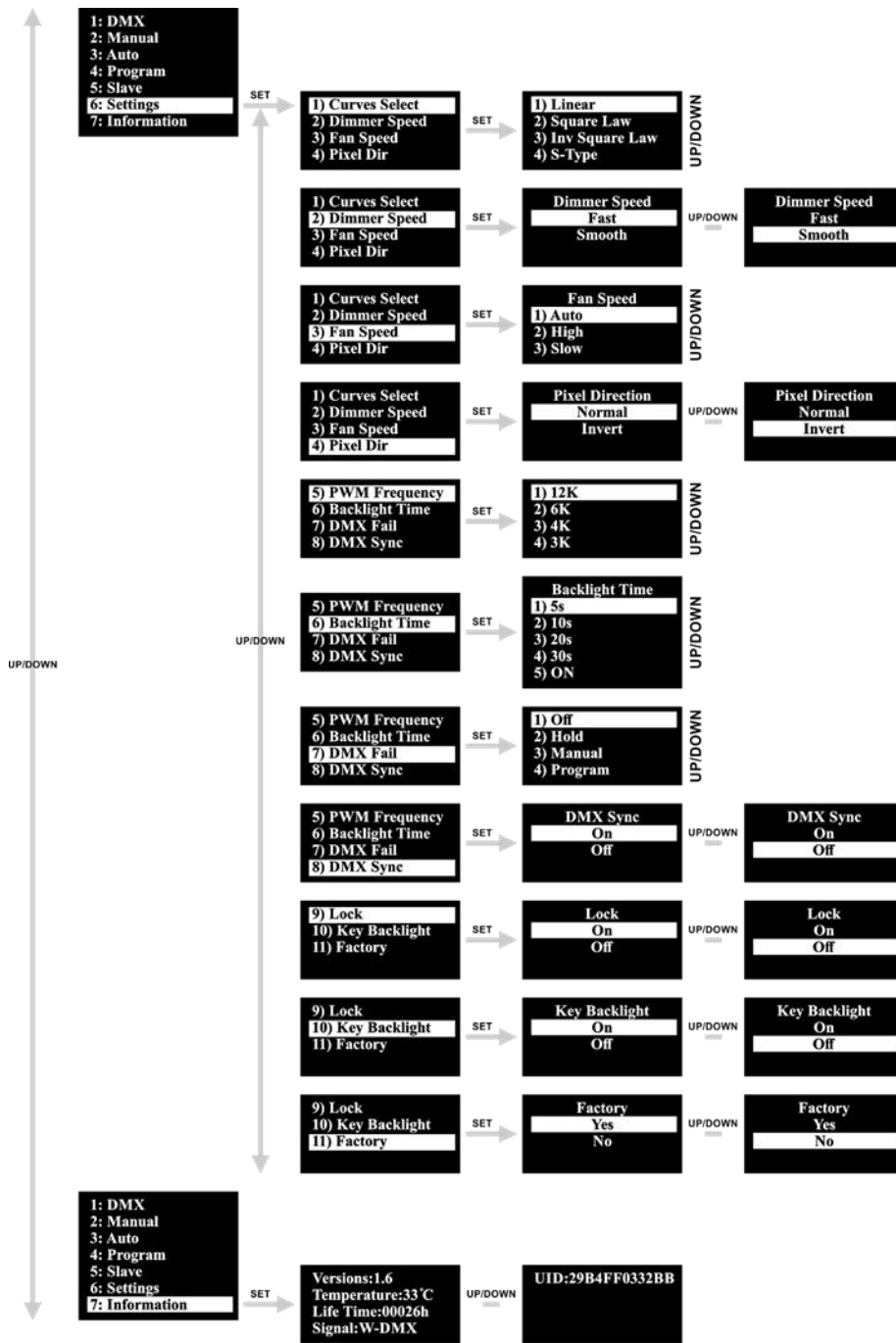
⚠ Display Off after 30 seconds ⚠

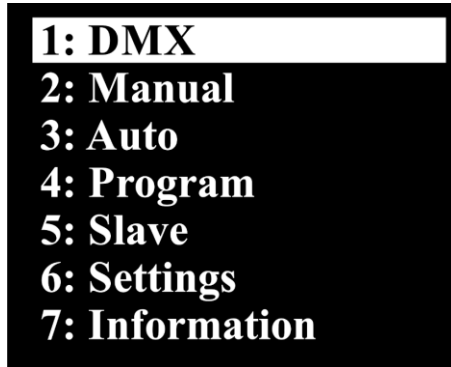
When no button is pressed for 30 seconds, the display will turn off.

To unlock the display, you have to **press and hold down the MODE and SET buttons for 3 seconds**. Once you have pressed the buttons, the display will light up.

Menu Overview

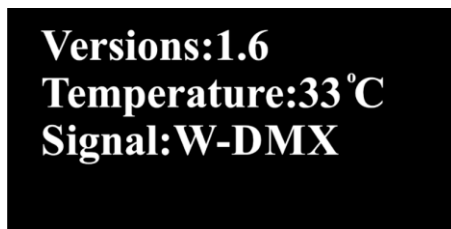




Main Menu Options

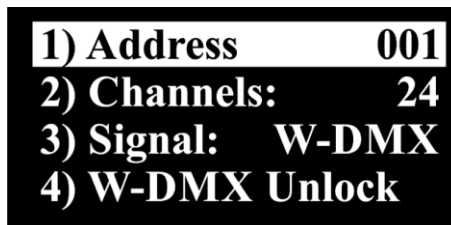
1. DMX settings
2. Manual mode
3. Auto mode
4. Built-in programs
5. Master/Slave mode
6. Settings
7. Information

Upon start-up, the display will show the current software version, temperature and the signal type.

**1. DMX Settings**

With this menu you can set the DMX address, choose the desired DMX mode and activate/deactivate the wireless DMX.

- 01) While in the main menu, press the **UP/DOWN** buttons to choose DMX.
- 02) Press the **SET** button to enter the menu. The display will show:



- 03) Press the **UP/DOWN** buttons to select one of the 4 submenus:

- Address
- Channels
- Signal
- W-DMX unlock

- 04) Press the **SET** button to open the desired submenu.

1.1. Address

With this menu you can set the desired DMX starting address.



- 01) Press the **UP/DOWN** buttons to set the desired DMX address. The adjustment range is between 001-512.
- 02) Press the **SET** button to confirm your choice.

1.2. Channels

With this menu you can set the desired DMX channel mode.



- 01) Press the **UP/DOWN** buttons to set the desired DMX channel mode. Choose one of the 5 options:
 - 4 channels
 - 6 channels
 - 8 channels
 - 20 channels
 - 24 channels
- 02) Press the **SET** button to confirm your choice.

1.3. Signal

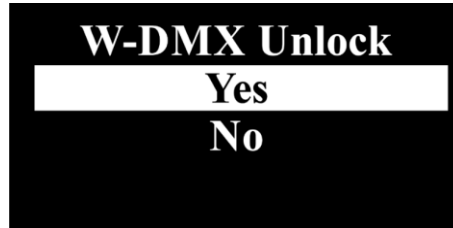
With this menu you can set the DMX signal type.



- 01) Press the **UP/DOWN** buttons to set the desired DMX signal type. Choose one of the 2 options:
 - DMX: conventional DMX
 - W-DMX: wireless DMX
- 02) Press the **SET** button to confirm your choice.

1.4. W-DMX Unlock

With this menu you can unlock the wireless DMX.

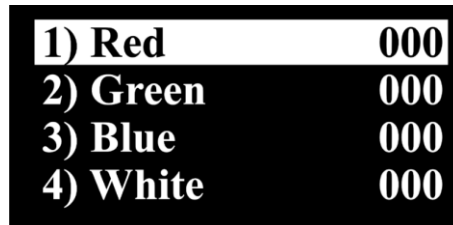


- 01) Press the **UP/DOWN** buttons to choose YES (to unlock the wireless DMX) or NO (to return to the previous screen).
- 02) Press the **SET** button to confirm your choice.

2. Manual Mode

With this menu you can manually set the desired color.

- 01) While in the main menu, press the **UP/DOWN** buttons to choose MANUAL.
- 02) Press the **SET** button to enter the menu. The display will show:



- 03) Press the **UP/DOWN** buttons to choose one of the 4 colors: Red, Green, Blue and White.
- 04) Press the **SET** button to enter the menu.
- 05) Press the **UP/DOWN** buttons to set the intensity of the LEDs. The adjustment range for each color is between 0-255, from dark to brightest.
- 06) Press the **SET** button to save your settings.
- 07) You can combine Red, Green, Blue and White to create an infinite range of colors (0-255).

3. Auto Mode

With this menu you can set Auto mode.

- 01) While in the main menu, press the **UP/DOWN** buttons to choose AUTO.
- 02) Press the **SET** button to enter the menu. The display will show:



- 03) Press the **UP/DOWN** buttons to choose YES (to start the auto show) or NO (to return to the previous screen).
- 04) Press the **SET** button to confirm your choice.

4. Built-in Programs

With this menu you can set the built-in programs.

- 01) While in the main menu, press the **UP/DOWN** buttons to choose PROGRAM.
- 02) Press the **SET** button to enter the menu. The display will show:

Program	
1) Mode	01
2) Color	01
3) Strobe	00

- 03) Press the **UP/DOWN** buttons to choose MODE and press the **SET** button to enter the menu.
- 04) The display will show:

Program Mode
01

- 05) Press the **UP/DOWN** buttons to choose one of the 26 built-in programs. Press the **SET** button to confirm your choice.

4.1. Program 01

- 01) If you have chosen program 01, the display will show:

Program	
1) Mode	01
2) Color	01
3) Strobe	00

- 02) Press the **UP/DOWN** buttons to choose one of the 2 options:
 - COLOR
 - STROBE
- 03) Press the **SET** button to enter the desired menu.
- 04) If you have chosen COLOR, press the **UP/DOWN** buttons to choose one of the 38 color macros. Press the **SET** button to save your settings.
- 05) If you have chosen STROBE, press the **UP/DOWN** buttons to set the strobe frequency. The adjustment range is between 0-99, from OFF to high frequency. Press the **SET** button to save your settings.

4.2. Programs 02-26

01) If you have chosen one of the programs 02-26, the display will show:

Program	
1) Mode	02
2) Speed	01
3) Strobe	00

02) Press the **UP/DOWN** buttons to choose one of the 2 options:

- SPEED
- STROBE

03) Press the **SET** button to enter the desired menu.

04) If you have chosen SPEED, press the **UP/DOWN** buttons to set the built-in program's speed. The adjustment range is between 1-100, from slow to fast. Press the **SET** button to save your settings.

05) If you have chosen STROBE, press the **UP/DOWN** buttons to set the strobe frequency. The adjustment range is between 0-99, from OFF to high frequency. Press the **SET** button to save your settings.

5. Master/Slave Mode

With this menu you can set the device as a slave.

01) While in the main menu, press the **UP/DOWN** buttons to choose SLAVE.

02) Press the **SET** button to enter the menu. The display will show:

Slave
Yes
No

03) Press the **UP/DOWN** buttons to choose YES or NO.

04) Press the **SET** button to confirm your choice.

05) If you have chosen YES, the device will be set as a slave and will react the same as the master device.

6. Settings

With this menu you can adjust the device's settings.

- 01) While in the main menu, press the **UP/DOWN** buttons to choose SETTINGS.
- 02) Press the **SET** button to enter the menu. The display will show:

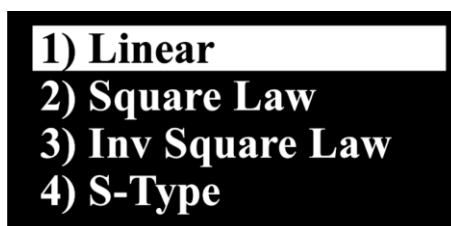


- 03) Press the **UP/DOWN** buttons to choose one of the 11 submenus:

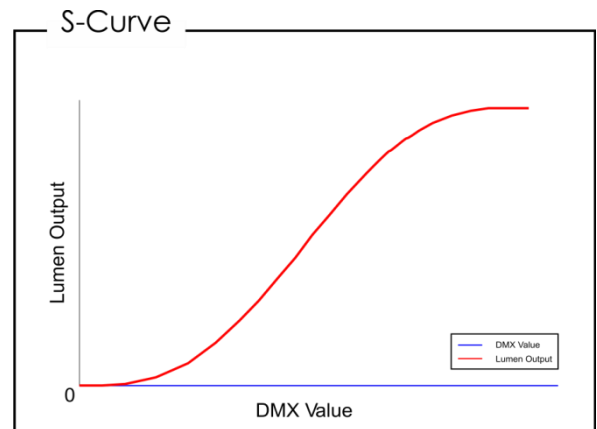
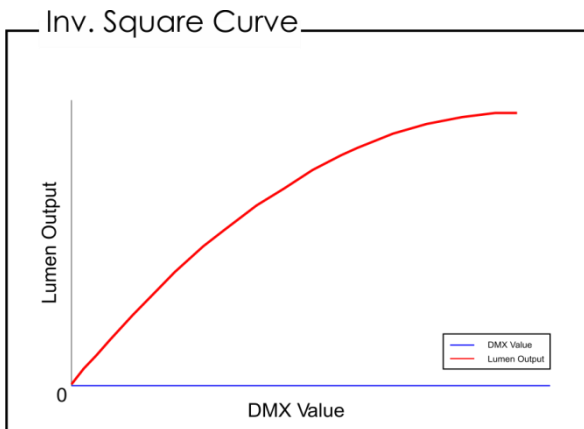
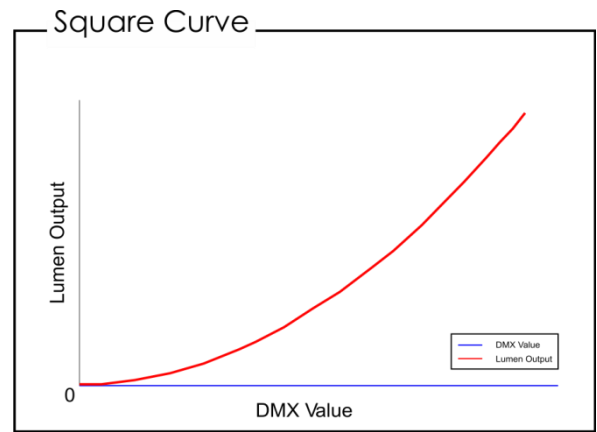
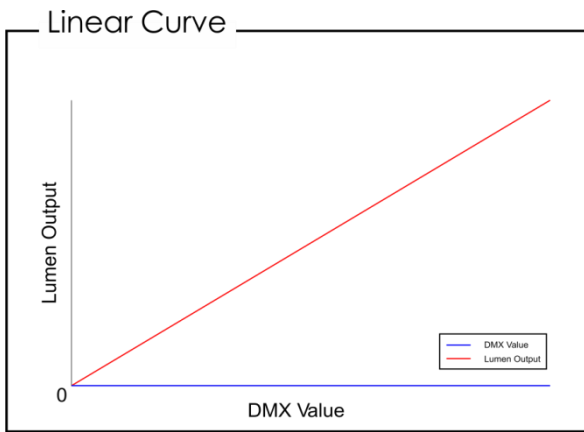
- CURVES SELECT
- DIMMER SPEED
- FAN SPEED
- PIXEL DIR
- PWM FREQUENCY
- BACKLIGHT TIME
- DMX FAIL
- DMX SYNC
- LOCK
- KEY BACKLIGHT
- FACTORY

- 04) Press the **SET** button to enter the desired submenu.

6.1. Curves Select



- 01) Press the **UP/DOWN** buttons to choose one of the 4 dimming curves.
- 02) Press the **SET** button to confirm your choice.



6.2. Dimmer Speed

With this menu you can set the dimmer speed.



- 01) Press the **UP/DOWN** buttons to select FAST or SMOOTH.
- 02) Press the **SET** button to confirm your choice.

6.3. Fan Speed

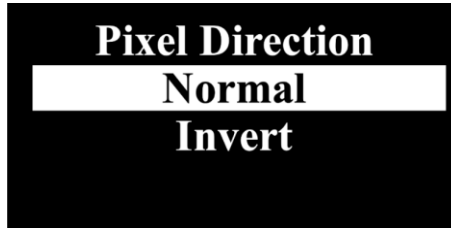
With this menu you can set the fan speed.



- 01) Press the **UP/DOWN** buttons to select AUTO, HIGH or SLOW.
- 02) Press the **SET** button to confirm your choice.

6.4. Pixel Dir

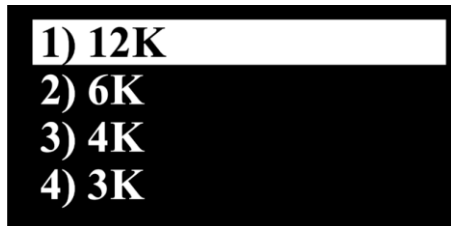
With this menu you can set the pixel direction.



- 01) Press the **UP/DOWN** buttons to select NORMAL or INVERT.
- 02) Press the **SET** button to confirm your choice.

6.5. PWM Frequency

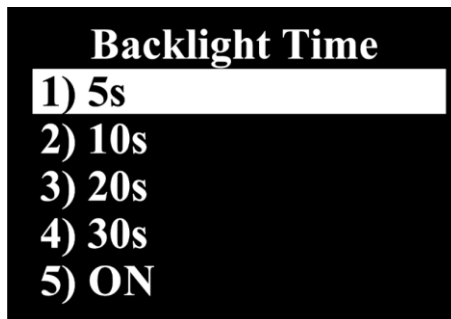
With this menu you can set the PWM frequency.



- 01) Press the **UP/DOWN** buttons to select 12K, 6K, 4K or 3K.
- 02) Press the **SET** button to confirm your choice.

6.6. Backlight Time

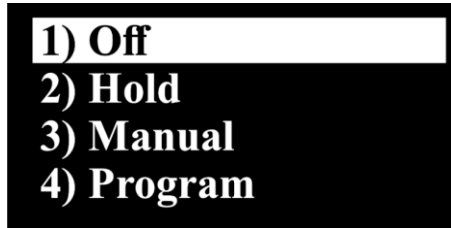
With this menu you can set the time which needs to pass before the display turns off, when no buttons are pressed.



- 01) Press the **UP/DOWN** buttons to select 5s, 10s, 20s, 30s or ON (display continuously on).
- 02) Press the **SET** button to confirm your choice.

6.7. DMX Fail

With this menu you can set the device's behavior in case of a DMX failure.



01) Press the **UP/DOWN** buttons to select one of the 4 options:

- OFF: the device will black out the light output
- HOLD: the device will use last properly received DMX signal, ensuring uninterrupted performance
- MANUAL: the device will switch to Manual mode
- PROGRAM: the device will run the built-in programs

02) Press the **SET** button to confirm your choice.

6.8. DMX Sync

With this menu you can set the devices' behavior, while using multiple Helixes.



01) Press the **UP/DOWN** buttons to select ON (all Helix devices will simultaneously perform the same action, without any delays) or OFF (risk of random delays).

02) Press the **SET** button to confirm your choice.

6.9. Lock

With this menu you can set the safety lock, restricting access to the main menu.



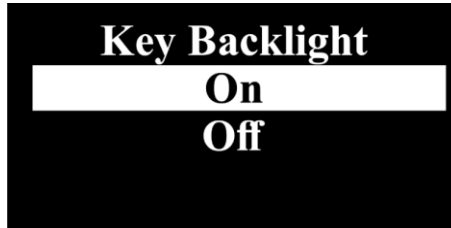
01) Press the **UP/DOWN** buttons to select one of the 2 options:

- ON: when no button is pressed within the time limit set in menu 6.6. Backlight Time (see page 30), the device's main menu will be locked. **In order to unlock it, press and hold down the MODE and SET buttons for 3 seconds.**
- OFF: safety lock is inactive

02) Press the **SET** button to confirm your choice.

6.10. Key Backlight

With this menu you can set whether the 4 buttons (MODE, SET, UP, DOWN) will be illuminated or not.



- 01) Press the **UP/DOWN** buttons to select ON or OFF.
- 02) Press the **SET** button to confirm your choice.

6.11. Factory

With this menu you can restore the default factory settings.



- 01) Press the **UP/DOWN** buttons to select YES or NO.
- 02) Press the **SET** button to confirm your choice.

7. Information

With this menu you can view the device's current software version, temperature, total lifetime, type of DMX signal and the device's UID number.

- 01) While in the main menu, press the **UP/DOWN** buttons to choose INFORMATION.
- 02) Press the **SET** button to enter the menu. The display will show:



- 03) Press the **UP/DOWN** buttons to toggle through the screens.

DMX Channels**4 Channels****Channel 1 – Red**

0-255 Gradual adjustment Red, from dark to brightest

Channel 2 – Green

0-255 Gradual adjustment Green, from dark to brightest

Channel 3 – Blue

0-255 Gradual adjustment Blue, from dark to brightest

Channel 4 – White

0-255 Gradual adjustment White, from dark to brightest

6 Channels**Channel 1 – Dimmer**

0-255 Dimmer intensity, from dark to brightest

Channel 2 – Red  CH1 must be open 

0-255 Gradual adjustment Red, from dark to brightest

Channel 3 – Green  CH1 must be open 

0-255 Gradual adjustment Green, from dark to brightest

Channel 4 – Blue  CH1 must be open 

0-255 Gradual adjustment Blue, from dark to brightest

Channel 5 – White  CH1 must be open 

0-255 Gradual adjustment White, from dark to brightest

Channel 6 – Strobe  CH1 must be open; CH2-5 must be open 

0-10 Not functional

11-255 Strobe flash frequency, from OFF to highest frequency

8 Channels

Channel 1 – Dimmer

0-255 Dimmer intensity, from dark to brightest

Channel 2 – Red CH1 must be open; CH6-7 must be closed

0-255 Gradual adjustment Red, from dark to brightest

Channel 3 – Green CH1 must be open; CH6-7 must be closed

0-255 Gradual adjustment Green, from dark to brightest

Channel 4 – Blue CH1 must be open; CH6-7 must be closed

0-255 Gradual adjustment Blue, from dark to brightest

Channel 5 – White CH1 must be open; CH6-7 must be closed

0-255 Gradual adjustment White, from dark to brightest

Channel 6 – Color switch/Color flow CH1 must be open

0-5 Not functional

6-15 Color switch 1

16-25 Color switch 2

26-35 Color switch 3

36-45 Color switch 4

46-55 Color switch 5

56-65 Color switch 6

66-75 Color switch 7

76-85 Color switch 8

86-95 Color flow 1

96-105 Color flow 2

106-115 Color flow 3

116-125 Color flow 4

126-135 Color flow 5

136-145 Color flow 6

146-155 Color flow 7

156-165 Section switch 1

166-175 Section switch 2

176-185 Section switch 3

186-195 Section switch 4

196-205 Section switch 5

206-215 Section flow 1

216-225 Section flow 2

226-235 Section flow 3

236-245 Section flow 4

246-255 Section flow 5

Channel 7 – Color switch/flow speed CH6 must be set between 6-255

0-255 Gradual speed adjustment, from slow to fast

Channel 7 – Color macros CH1 must be open; CH6 must be closed

0-10 Not functional

11-16 Red

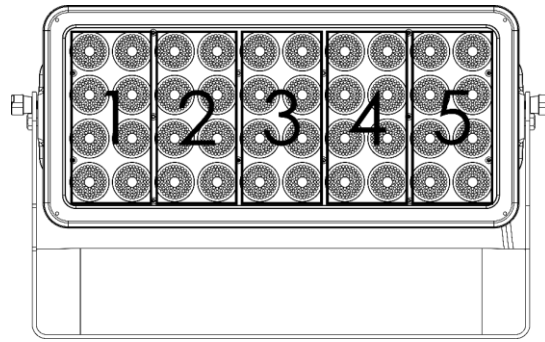
17-22 Flame Red

23-28 Deep Gold Amber

29-34	Millennium Gold
35-40	Gold Amber
41-46	Yellow
47-52	Chrome Yellow
53-58	Deep Amber
59-64	Spring Yellow
65-70	Lime Green
71-76	JAS Green
77-82	Fern Green
83-88	Moss Green
89-94	Primary Green
95-100	Dark Green
101-106	Green
107-112	Medium Blue Green
113-118	Light Blue
119-124	Lighter Blue
125-130	Steel Blue
131-136	½ CT Blue
137-142	Full CT Blue
143-148	State Blue
149-154	Double CT Blue
155-160	Medium Blue
161-166	Just Blue
167-172	Deep Blue
173-178	Blue
179-184	Congo Blue
185-190	Surprise Pink
191-196	Fuchsia Pink
197-202	Follies Pink
203-208	Special Rose Pink
209-214	Pink
215-220	Moroccan Pink
221-226	Warm White
227-232	Cold White
233-255	Open White

Channel 8 – Strobe ⚠️ **CH1 must be open; CH2-7 must be open** ⚠️

0-10	Not functional
11-255	Strobe flash frequency, from OFF to highest frequency



The Helix's output is divided into 5 sections.

20 Channels

Channel 1 – Red (section 1)

0-255 Gradual adjustment Red, from dark to brightest

Channel 2 – Green (section 1)

0-255 Gradual adjustment Green, from dark to brightest

Channel 3 – Blue (section 1)

0-255 Gradual adjustment Blue, from dark to brightest

Channel 4 – White (section 1)

0-255 Gradual adjustment White, from dark to brightest

Channel 5 – Red (section 2)

0-255 Gradual adjustment Red, from dark to brightest

Channel 6 – Green (section 2)

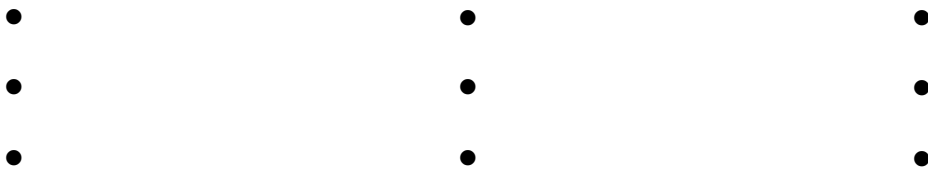
0-255 Gradual adjustment Green, from dark to brightest

Channel 7 – Blue (section 2)

0-255 Gradual adjustment Blue, from dark to brightest

Channel 8 – White (section 2)

0-255 Gradual adjustment White, from dark to brightest



Channel 17 – Red (section 5)

0-255 Gradual adjustment Red, from dark to brightest

Channel 18 – Green (section 5)

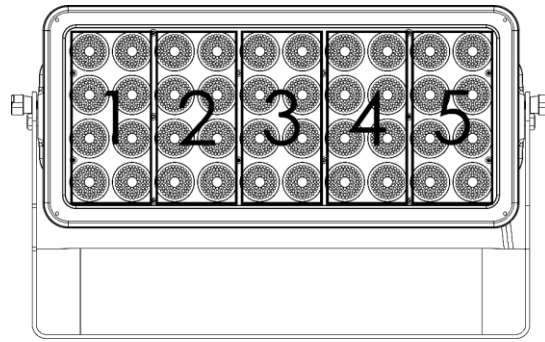
0-255 Gradual adjustment Green, from dark to brightest

Channel 19 – Blue (section 5)

0-255 Gradual adjustment Blue, from dark to brightest

Channel 20 – White (section 5)

0-255 Gradual adjustment White, from dark to brightest



The Helix's output is divided into 5 sections.

24 Channels

Channel 1 – Dimmer

0-255 Dimmer intensity, from dark to brightest

Channel 2 – Strobe ⚠ CH1 must be open; CH3-24 must be open ⚠

0-10 Not functional

11-255 Strobe flash frequency, from OFF to highest frequency

Channel 3 – Color switch/flow speed ⚠ CH4 must be set between 6-255 ⚠

0-255 Gradual speed adjustment, from slow to fast

Channel 3 – Color macros ⚠ CH1 must be open; CH4 must be closed ⚠

0-10 Not functional

11-16 Red

17-22 Flame Red

23-28 Deep Gold Amber

29-34 Millennium Gold

35-40 Gold Amber

41-46 Yellow

47-52 Chrome Yellow

53-58 Deep Amber

59-64 Spring Yellow

65-70 Lime Green

71-76 JAS Green

77-82 Fern Green

83-88 Moss Green

89-94 Primary Green

95-100 Dark Green

101-106 Green

107-112 Medium Blue Green

113-118 Light Blue

119-124 Lighter Blue

125-130 Steel Blue

131-136 ½ CT Blue

137-142 Full CT Blue

143-148 State Blue

149-154 Double CT Blue

155-160 Medium Blue

161-166 Just Blue

167-172 Deep Blue

173-178	Blue
179-184	Congo Blue
185-190	Surprise Pink
191-196	Fuchsia Pink
197-202	Follies Pink
203-208	Special Rose Pink
209-214	Pink
215-220	Moroccan Pink
221-226	Warm White
227-232	Cold White
233-255	Open White

Channel 4 – Color switch/Color flow ⚠ CH1 must be open ⚠

0-5	Not functional
6-15	Color switch 1
16-25	Color switch 2
26-35	Color switch 3
36-45	Color switch 4
46-55	Color switch 5
56-65	Color switch 6
66-75	Color switch 7
76-85	Color switch 8
86-95	Color flow 1
96-105	Color flow 2
106-115	Color flow 3
116-125	Color flow 4
126-135	Color flow 5
136-145	Color flow 6
146-155	Color flow 7
156-165	Section switch 1
166-175	Section switch 2
176-185	Section switch 3
186-195	Section switch 4
196-205	Section switch 5
206-215	Section flow 1
216-225	Section flow 2
226-235	Section flow 3
236-245	Section flow 4
246-255	Section flow 5

Channel 5 – Red (section 1) ⚠ CH1 must be open; CH3-4 must be closed ⚠

0-255	Gradual adjustment Red, from dark to brightest
-------	--

Channel 6 – Green (section 1) ⚠ CH1 must be open; CH3-4 must be closed ⚠

0-255	Gradual adjustment Green, from dark to brightest
-------	--

Channel 7 – Blue (section 1) ⚠ CH1 must be open; CH3-4 must be closed ⚠

0-255	Gradual adjustment Blue, from dark to brightest
-------	---

Channel 8 – White (section 1) ⚠ CH1 must be open; CH3-4 must be closed ⚠

0-255	Gradual adjustment White, from dark to brightest
-------	--

Channel 9 – Red (section 2) ⚠️ CH1 must be open; CH3-4 must be closed ⚠️

0-255 Gradual adjustment Red, from dark to brightest

Channel 10 – Green (section 2) ⚠️ CH1 must be open; CH3-4 must be closed ⚠️

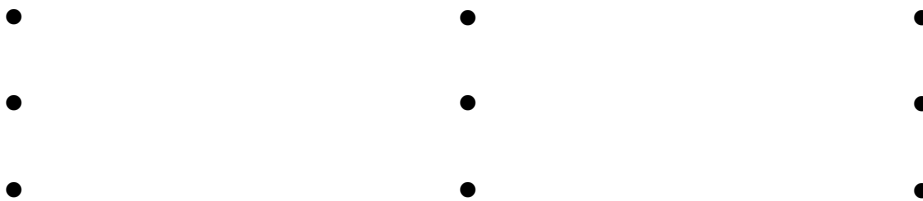
0-255 Gradual adjustment Green, from dark to brightest

Channel 11 – Blue (section 2) ⚠️ CH1 must be open; CH3-4 must be closed ⚠️

0-255 Gradual adjustment Blue, from dark to brightest

Channel 12 – White (section 2) ⚠️ CH1 must be open; CH3-4 must be closed ⚠️

0-255 Gradual adjustment White, from dark to brightest

**Channel 21 – Red (section 5) ⚠️ CH1 must be open; CH3-4 must be closed ⚠️**

0-255 Gradual adjustment Red, from dark to brightest

Channel 22 – Green (section 5) ⚠️ CH1 must be open; CH3-4 must be closed ⚠️

0-255 Gradual adjustment Green, from dark to brightest

Channel 23 – Blue (section 5) ⚠️ CH1 must be open; CH3-4 must be closed ⚠️

0-255 Gradual adjustment Blue, from dark to brightest

Channel 24 – White (section 5) ⚠️ CH1 must be open; CH3-4 must be closed ⚠️

0-255 Gradual adjustment White, from dark to brightest

Maintenance

The Showtec Helix S5000 Q4 requires almost no maintenance. However, you should keep the unit clean. Otherwise, the fixture's light output will be significantly reduced. Disconnect the mains power supply and then wipe the cover with a damp cloth. Wipe the front glass panel clean with glass cleaner and a soft cloth. Do not use alcohol or solvents. The front glass panel will require weekly cleaning, as smoke-fluid tends to build up residues, reducing the light output very quickly. Do not immerse in liquid. Keep connections clean. Disconnect electric power, and then wipe the DMX and audio connections with a damp cloth. Make sure connections are thoroughly dry before linking equipment or supplying electric power.

The operator has to make sure that safety-related and machine-technical installations are to be inspected by an expert after every year in the course of an acceptance test.

The operator has to make sure that safety-related and machine-technical installations are to be inspected by a skilled person once a year.

The following points have to be considered during the inspection:

- 01) All screws used for installing the device or parts of the device have to be tightly connected and must not be corroded.
- 02) There may not be any deformations on housings, fixations and installation spots.
- 03) Mechanically moving parts like axles, eyes and others may not show any traces of wearing.
- 04) The electric power supply cables must not show any damages or material fatigue.

Troubleshooting

No Light

If the light effect does not operate properly, refer servicing to a technician.

Suspect three potential problem areas as: the power supply, the LEDs, the internal fuse.

- 01) Power supply. Check if the unit is plugged into an appropriate power supply.
- 02) The LEDs. Return the Helix to your Showtec dealer.
- 03) The internal fuse. Return the Helix to your Showtec dealer.
- 04) If all appears to be O.K., plug the unit in again.
- 05) If you are unable to determine the cause of the problem, do not open the Helix, as this may damage the unit and the warranty will become void.
- 06) Return the device to your Showtec dealer.

No Response to DMX

- 01) Check the DMX setting. Make sure that DMX addresses are correct.
- 02) Check the DMX cable: Unplug the unit; change the DMX cable; then reconnect to electrical power. Try your DMX control again.
- 03) Determine whether the controller or light effect is at fault. Does the controller operate properly with other DMX products? If not, take the controller in for repair. If so, take the DMX cable and the light effect to a qualified technician.

Problem	Probable cause(s)	Remedy
One or more fixtures do not function at all	No power to the fixture	<ul style="list-style-type: none"> • Check if power is switched on and cables are plugged in
	Internal fuse blown	<ul style="list-style-type: none"> • Return the device to your Showtec dealer
Fixtures reset correctly, but all respond erratically or not at all to the controller	The controller is not connected	<ul style="list-style-type: none"> • Connect controller
	5-pin XLR Out of the controller does not match XLR Out of the first fixture on the link (i.e. signal is reversed)	<ul style="list-style-type: none"> • Install a phase reversing cable between the controller and the first fixture on the link
Fixtures reset correctly, but some respond erratically or not at all to the controller	Poor data quality	<ul style="list-style-type: none"> • Check data quality. If much lower than 100 percent, the problem may be a bad data link connection, poor quality or broken cables, missing termination plug, or a defective fixture disturbing the link
	Bad data link connection	<ul style="list-style-type: none"> • Inspect connections and cables. Correct poor connections. Repair or replace damaged cables
	Data link not terminated with 120 Ohm termination plug	<ul style="list-style-type: none"> • Insert termination plug in output jack of the last fixture on the link
	Incorrect addressing of the fixtures	<ul style="list-style-type: none"> • Check address setting
	One of the fixtures is defective and disturbs data transmission on the link	<ul style="list-style-type: none"> • Bypass one fixture at a time until normal operation is regained: unplug both connectors and connect them directly together • Have the defective fixture serviced by a qualified technician
	5-pin XLR Out on the fixtures does not match (pins 2 and 3 reversed)	<ul style="list-style-type: none"> • Install a phase-reversing cable between the fixtures or swap pin 2 and 3 in the fixture, that behaves erratically
No light or LEDs cuts out intermittently	Fixture is too hot	<ul style="list-style-type: none"> • Allow the fixture to cool down • Clean the fans • Make sure air vents are not blocked • Turn up the air conditioning
	LEDs damaged	<ul style="list-style-type: none"> • Disconnect fixture and return to your dealer
	The power supply settings do not match local AC voltage and frequency	<ul style="list-style-type: none"> • Disconnect fixture. Check settings and correct if necessary

Product Specifications

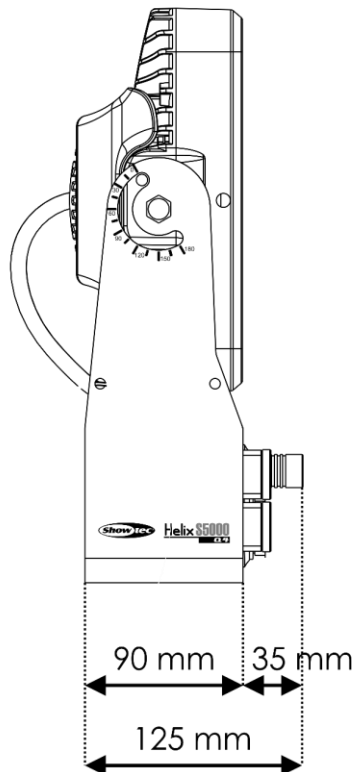
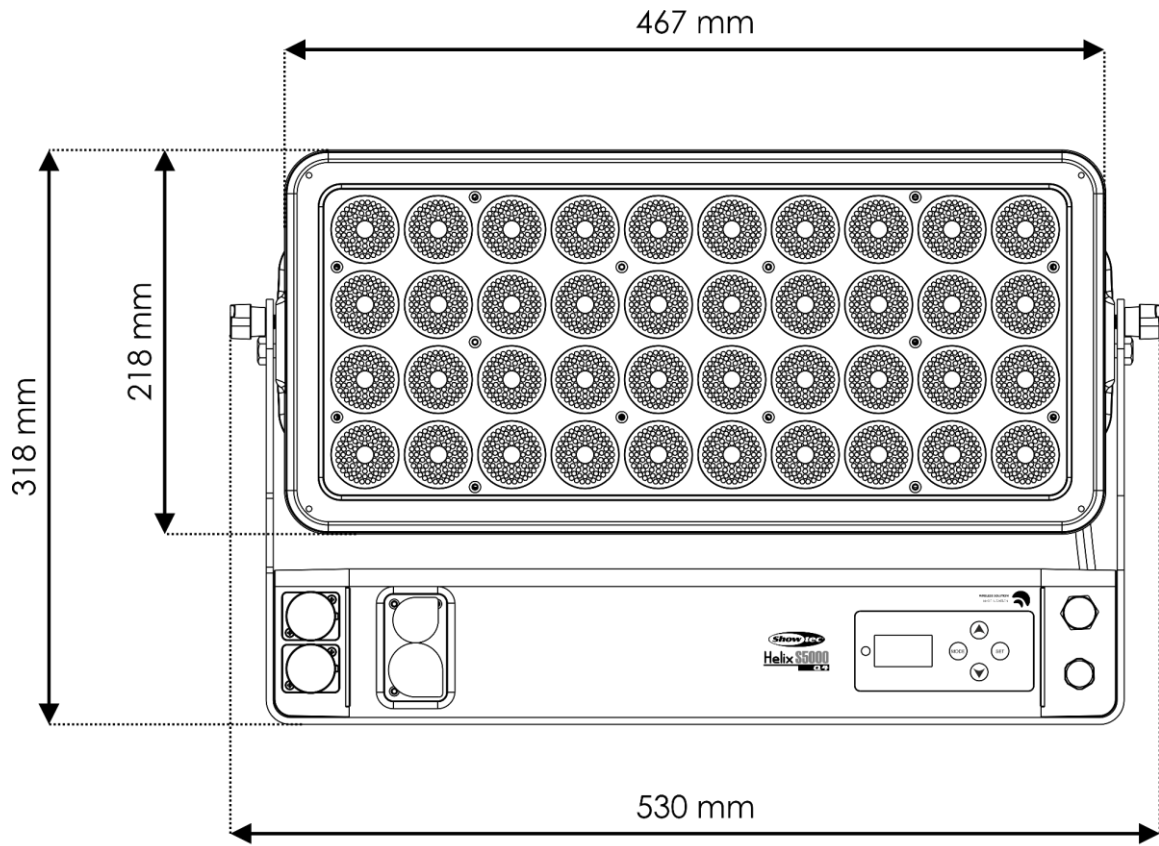
Model:	Showtec Helix S5000 Q4
Input voltage:	100-240V AC, 50/60Hz
Power consumption:	415W
Peak power:	810W
Power linking:	3pcs@110V, 7pcs@240V
DMX linking:	30pcs
Dimensions:	530 x 125 x 318 mm (LxWxH)
Weight:	11,5 kg
Operating and Programming:	
Signal pin OUT:	Pin 1 (earth), pin 2 (-), pin 3 (+)
DMX Mode:	4, 6, 8, 20, 24 channels
Signal input:	5-pin XLR-HD IN
Signal output:	5-pin XLR-HD OUT
Electro-mechanical effects:	
Light source:	40 x Prolight Opto RGBW 4-in-1 10W LEDs
Light output @ 2m:	54000 lux
Refresh rate:	3.0 kHz
Beam angle:	10°
Dimmer:	0-100%
Strobe:	0-20Hz
Rigging:	Quick-locks for fast rigging and mounting
Wireless DMX:	Wireless Solutions
IP rating:	IP65
DMX control:	via standard DMX controller
Onboard:	OLED display for easy setup
Control:	Auto, Built-in programs, Manual, Master/Slave, DMX512, W-DMX
Housing:	Die-cast aluminum
Connections:	Dedicated PowerCON True1 power & data connector
Cooling:	Cooling fans
Working temperature:	-10°C~40°C
Included:	Schuko to Neutrik PowerCON True1 cable (1,5 m)
Max. ambient temperature t_a : 40°C	Max. housing temperature t_B : 70°C
Minimum distance:	
Minimum distance from flammable surfaces:	0,5 m
Minimum distance to lighted object:	1 m

Design and product specifications are subject to change without prior notice.



Website: www.Showtec.info
 Email: service@highlite.com

Dimensions





©2018 Showtec