



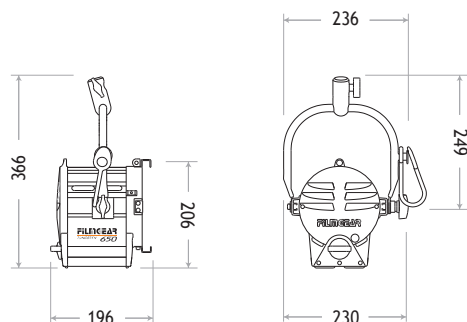
Tungsten Fresnel 650W Junior

LAMPHEAD CONTENTS

- Lamp Housing without Bulb (purple grey & silver color)
- 4-leaf Rotatable Barndoor with Safety Wire
- Ø112mm (4-3/8 in.) Fresnel Lens
- In-Line Switch
- Inlet Cable 4m (13 ft.)
- Stirrup with Ø16mm (5/8 in.) Socket

Requires Lamp Bulb

DIMENSIONS (mm)



Tungsten Fresnel 650W Junior

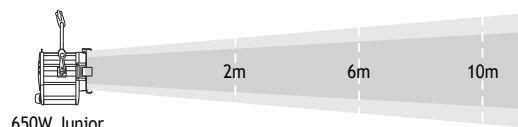
SPECIFICATIONS

Identity No.	L00650TJ
Capacity	650W
Voltage	100 - 250V AC
Fresnel Lens	Ø112mm (4-3/8 in.)
Lamp Type	650W SE
Color Temp.	3200K
Lamp Holder	GY9.5
Stirrup	Ø16mm (5/8 in.) Socket
Class / IP Rating	1 / IP 23
Max. Surface Temp.	190 °C
Max. Ambient Temp.	45 °C
Min. Distance to Illuminated Object	1 m
Min. Distance to Flammable Object	0.5 m
Operating Range	+45° ~ 0° ~ -45°
Weight (lamphead)	3.0 kg
Weight (with barndoor)	3.5 kg

ACCESSORIES

- 4-leaf Rotatable Barndoor
- Filter Frame
- Set of 4 Scrim Ø168mm (6-5/8 in.) :
 - Full Single, Full Double, Half Single, Half Double
- Scrim Bag
- Variable Snoot
- Spill Ring
- Safety Cable (for lamphead)
- Safety Wire (for barndoor)

PHOTOMETRIC DATA



650W Junior

Spot (11°)			
Lux	17498	1944	700
Beam Ø	0.39 m	1.16 m	1.93 m
Flood (54°)			
Lux	3232	359	129
Beam Ø	2.04 m	6.11 m	10.19 m