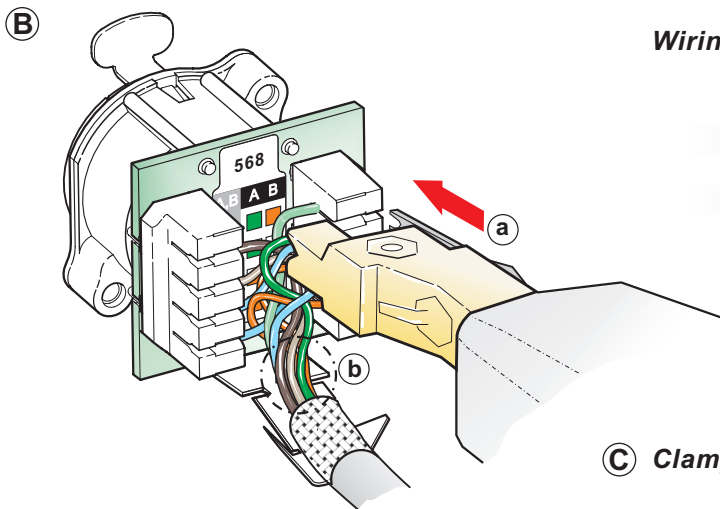
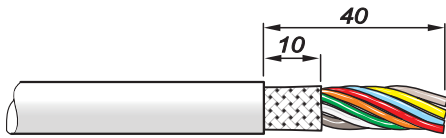


EtherCon[®]

Ruggedized RJ45 Data Connector Chassis type with cable termination

Assembly Instructions

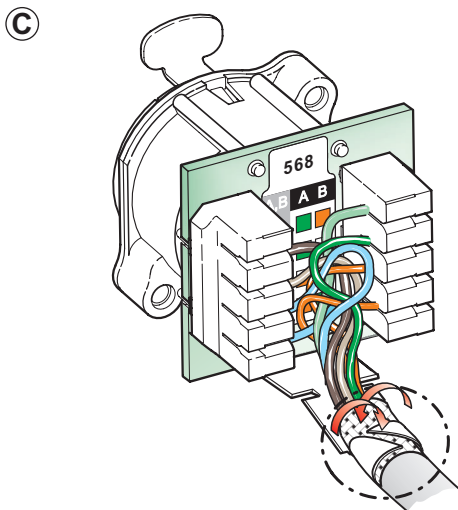
- (A)** Strip cable according to figure.
- (B)** **(a)** Terminate the wires with proper punch-down tool.
- Krone tool for NE8FAV-YK
- 110-tool for NE8FAV-Y110
(b) Take care that the untwisting of pairs does not exceed 13 mm.



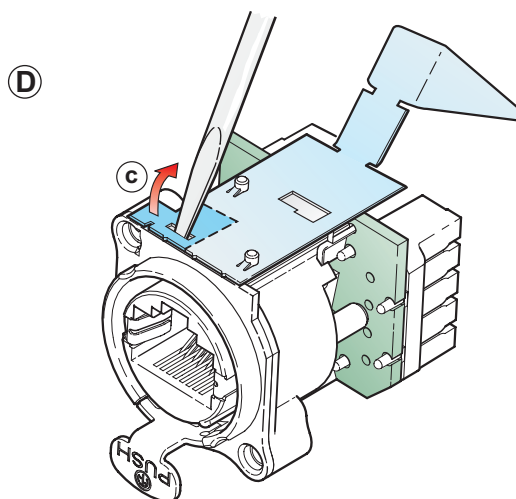
Wiring:

568		568	
#	A B	A B	#
7	Br	Gr	2
8	Br	Gr	1
5	Bl	Or	3
4	Bl	Or	6

TIA 568A		TIA 568B	
Wi/Br	Gr	Wi/Br	Or
Br	Wi/Gr	Br	Wi/Or
Wi/Bl	Wi/Or	Wi/Bl	Wi/Gr
Bl	Or	Bl	Gn



- (C)** Clamp cable shield onto shield plate.
- (D)** For isolated applications (no connection between shield and front panel) please remove precut piece **(c)**.



NEUTRIK AG
Liechtenstein

Tel.: +423/237 24 24
Fax: +423/232 53 93
www.neutrik.com

NEUTRIK Zürich AG
Switzerland

Tel.: +41 1/736 5010
Fax: +41 1/736 5011

NEUTRIK (UK) Ltd.
Great Britain

Tel.: +44 1983/811 441
Fax: +44 1983/811 439

NEUTRIK USA INC.
USA

Tel.: +1 732/901 9488
Fax: +1 732/901 9608

NEUTRIK Tokyo Ltd.
Japan

Tel.: +81 3/3663 4733
Fax: +81 3/3663 4796

NEUTRIK Vertriebs GmbH
Germany / Netherlands

Tel.: +49 8131/28 08-0
Fax: +49 8131/28 08-30

Draft Nr.: BDA 110 / 3102M1141
Update: 05.05.2003

Data subject to change without prior notice. ©2003 NEUTRIK®. ALL RIGHTS RESERVED.



NEUTRIK

CONNECTING THE WORLD